



DYNAMIC FIRE DAMPER

MODELS:
75A-DY (1-1/2 HR rating)



APPLICATION

The model 75A-DY is constructed with standard construction-galvanized steel. 75A-DY is 1-1/2 hour UL rated dynamic damper for use in HVAC systems that remain in operation during a fire. The unit can be installed vertically in walls or horizontally in floors .

RATING:

UL CLASSIFIED:

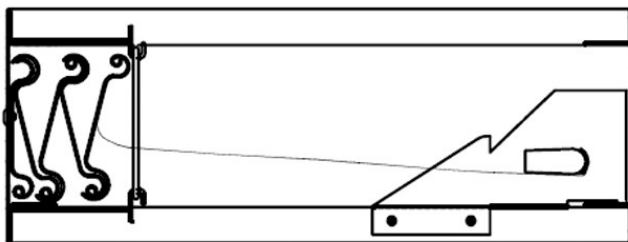
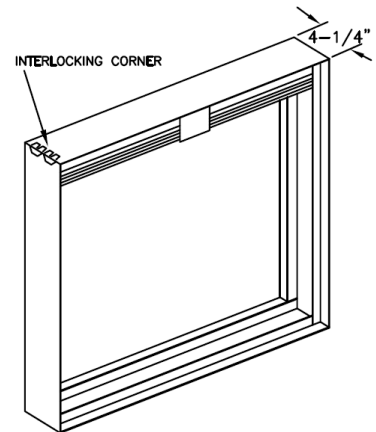
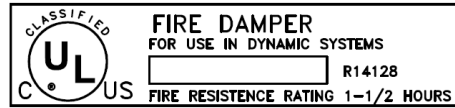
UL 555 Fire Resistance Rating
Fire resistance rated 1-1/2 Hours
Building materials rated in 2 hours fire partition

Standard Construction

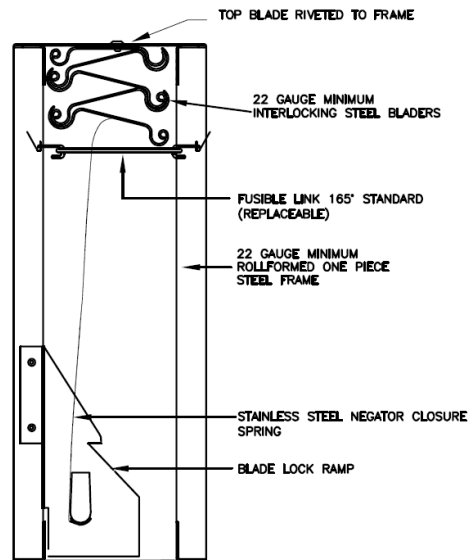
- Frame: 22 ga. Galvanized
- Steel Blade: 22 ga. Galvanized Steel
- Closure Spring: Stainless Steel
- Fusible Link: 165°F
- Mounting: Horizontal or Vertical

Dynamic Fire Dampers:
Bi-directional
2000 FPM maximum velocity
4.0 WG maximum static pressure

Features horizontal closure
spring operation under airflow in HVAC
systems where fans remain running in
Fire and smoke control dynamic fire dampers bear a label
Attesting to airflow and maximum static pressure limits.



HORIZONTAL MOUNT



VERTICAL MOUNT

	Single Section		Multiple Section
	Minimum Size (WxH)	Maximum Size (WxH)	Maximum Size (WxH)
Vertical	4"x4"	24"x24"	Consult factory for availability
Horizontal	4"x4"	24"x24"	Consult factory for availability



QPTUSA International Corp
20851 Johnson Street Unit #105
Pembroke Pines, FL 33029
Phone: 305-883-9949
Email: info@qptusa.com