



AIR CONTROL DAMPER



MODELS:
AC10 (PARALLEL BLADE)
AC20 (OPPOSED BLADE)

APPLICATION

The AC10/AC20 are Lloyd's low leakage, galvanized steel damper for low to medium velocity and pressure HVAC systems. A wide range of electric and pneumatic actuators are available.

STANDARD CONSTRUCTION

FRAME: 16 ga. (1.5mm) galvanized steel
Interlocking stacked hat section
(*Channel frame shown)

BLADES : 16 ga. Galvanized Vee formed

BEARINGS: Non-metallic celcon

AXLES: 1/2 square zinc plated steel stud

LINKAGE: Concealed in frame
10 ga. Zinc plated

steel **FINISH:** Mill galvanized

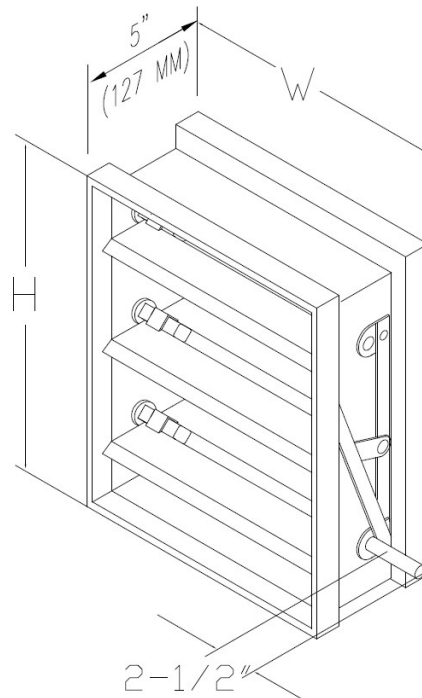
STANDARD 2-1/2" EXTENDED SHAFT:
FIXED 1/2 INCH DIA, ZINC PLATED STEEL SHAFT
EXTENDING 2 1/2 INCHES BEYOND THE AIR
CONTROL DAMPER FRAME.

OPTIONAL COMPONENTS

- Neoprene Blade seals
- Stainless steel jamb seals
- Aluminum frame
- Aluminum Vee blades
- Bronze bearings
- Flat head & sill frame construction for max. air flow sizes 4"High to 8"High
- Stainless steel construction
- Sleeves: Refer to the ACD sleeve specs
- Actuators: Manual, electric, pneumatic

****OPTIONAL REMOVABLE 8" EXTENDED SHAFT:**
1/2 dia. Shaft extending 7 1/2 inches beyond the air control frame.
Requires 1" or 2" bearing bracket.

Model	Single Section		Multiple Section
	Minimum Size (WxH)	Maximum Size (WxH)	Maximum Size (WxH)
AC10	6"X6"	60"x60"	UNLIMITED
AC20	6"x11"	60"x60"	



NOTE:
Dampers supplied 1/4" less than order width and height unless specified "ACTUAL SIZE"