



**AIR CONTROL DAMPER**



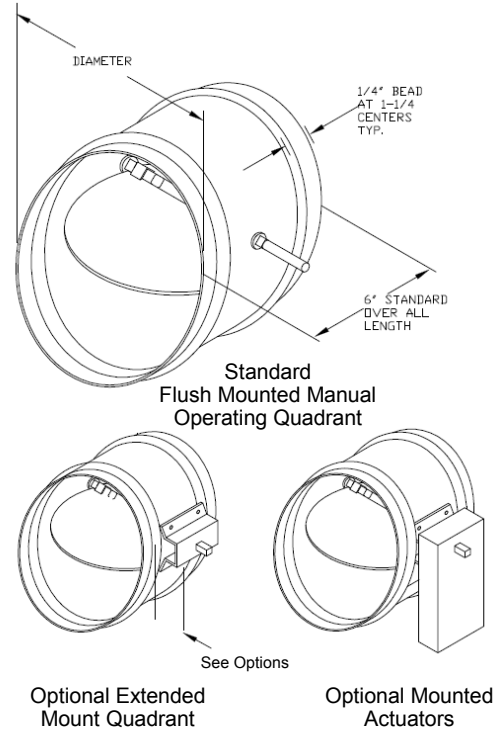
**MODELS:**  
**AC-30**  
**(SINGLE BLADE SPIRAL DUCT**  
**ROUND BALANCING DAMPER)**

**APPLICATION**

Model AC30 is a Lloyd's low leakage round spiral control damper that easily installs in round spiral ductwork. It is designed for use in low to medium pressure and velocity commercial HVAC systems. The damper can be used as a manual balancing hand locking quadrant/ extended mount Quadrant or using a variety of electric or pneumatic actuators.

**STANDARD CONSTRUCTION**

- FRAME:** 6" DEEP 22/20 GA. GALVANIZED STEEL  
ROLL FORMED AND WELDED DOUBLE BEADED FOR RIGIDITY AND SPIRAL DUCT CONNECTIONS
- BLADES:** SINGLE BLADE  
16 GA. GALVANIZED  
SINGLE "V" FORMED STIFFENER
- SEALS:** LOW LEAKAGE CLOSED CELL  
NEOPRENE BEARING METALLIC CELCON
- AXLES:** 1/2 SQUARE ZINC PLATED STEEL
- STUD FINISH:** MILL GALVANIZED



**STANDARD EXTENDED SHAFT:**

1/2 inch square x 3" long zinc plated steel shaft extending 1" beyond the air control frame.

**OPTIONS**

Extended Mount:

- 1-1/4" Quadrant standoff with 6" shaft
- 2-1/4" Quadrant standoff with 6" shaft

Motorized:

- 120 VAC or 24VAC
- 20 PSI with 1-1/4" or 2-1/4" standoff, and 8" shaft

Bronze bearings  
Stainless steel construction

**SIZING:**

Damper supplied:  
Order diameter less 1/4"

**SINGLE SECTION SIZE AVAILABILITY**

	DIAMETER
MINIMUM	4"
MAXIMUM	24"