



GREYSTONE ENERGY SYSTEMS INC

CARBON MONOXIDE DETECTOR CMD5B Series

The CMD Series carbon monoxide detector uses an electrochemical sensor to monitor the carbon monoxide level and outputs a field-selectable 4-20 mA or voltage signal. The voltage signal may also be set to 0-5 or 0-10 Vdc. The sensing range and output may be scaled to either 100, 150, 300, 400 or 500 ppm via the on-board menu. A front panel LCD is standard to ensure easy setup and operation. It is available in either space or duct mount configurations.

Other standard features include a back light for the LCD, a front panel test switch, status indication and an alarm buzzer. The test function may also be controlled remotely with a digital input signal. The on-board menu allows for local configuration of all device parameters.

Optional features include one or two alarm relays and/or RS-485 network communications configured for either ModBus or BACnet protocol.



PART NUMBER SELECTED

SPECIFICATION:

Sensor Type:.....Electrochemical
 Sensor Agency Approvals:.....Sensor is UL Recognized Component for ANSI/UL-2034, UL-2075, E240671
 Measurement Range:.....0-100, 150, 300, 400, or 500 PPM (Selectable)
 Accuracy:.....±5 PPM or 5% of reading (whichever is greater)
 Accuracy rated:.....0° to 50°C (32° to 122°F), 15 to 90% RH
 Life Expectancy:.....5-7 years in air
 Typical Coverage Area:.....700 m² (7500 ft²) or 15 m (50 ft) radius
 Operating Conditions:.....-20° to 50°C (-4° to 122°F), 15 to 90% RH, 0.9 to 1.1 atm
 Sample Method:.....Diffusion or flow through sample tube for duct mounted models
 Stability:.....<5% signal loss/year
 Response Time:.....<35 seconds for 90% step change
 Power Supply:.....24 Vdc ± 20% or 24 Vac ± 10% (non-isolated half-wave rectified)
 Consumption:.....100 mA max. with all options on
 Protection Circuitry:.....Reverse voltage protected and output limited
 Output Signal:.....4-20 mA (Active), 0-5 or 0-10 Vdc (Selectable)
 Output Drive at Capability:.....450 ohms max for current output, 10 Kohms min for voltage output
 Output Resolution:.....10 bit PWM (±0.4 ppm)
 LCD Display:.....Displays PPM and menu parameters
 1 PPM resolution, 35 mmW x 15 mm H (1.4" x 0.6") Alpha-numeric
 2 line X 8 character with backlight
 Status LED:.....2 color (red/green) on front panel
 Test Switch:.....Performs I/O tests, front panel and remote connection
 Buzzer Alarm:.....85 db @ 10 feet
 Buzzer Trip Point:.....Programmable 20-500 ppm in 10 ppm increments
 Buzzer Delay:.....Programmable 0-10 minutes in 1 minute increments

PRODUCT SELECTION INFORMATION:

MODEL	Product Description
CMD5B	Carbon Monoxide Detector

CODE	Options
4	Space ABS
5	Duct ABS

CODE	Circuit Board Relay
000	No relay
100	One Relay
110	Two Relays

CODE	Optional Communications
BAC	BACNet Communications
MOD	Modbus Communication

Greystone Energy Systems, Inc. reserves the right to make design modifications without prior notice.

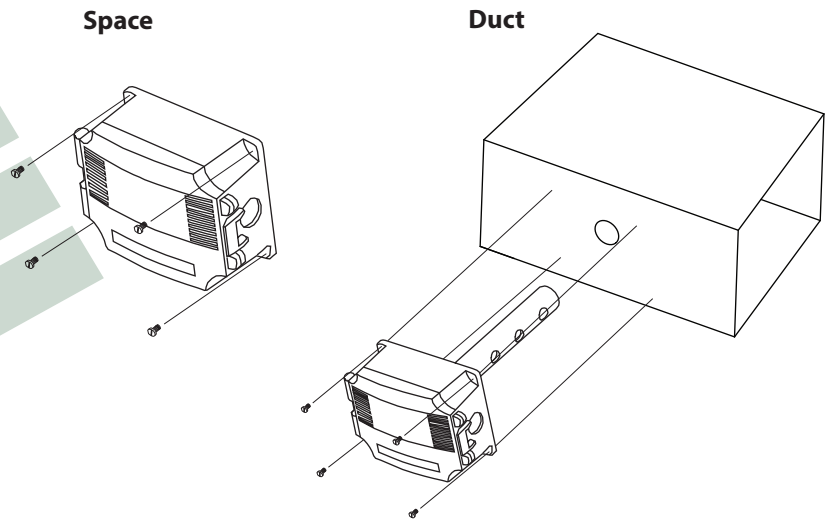
Optional Relay Output:.....One or two Form C contact (N.O. and N.C.)
 5 amps @ 250 Vac, 5 amps @ 30 Vdc, p.f. = 1
 Relay 1 Trip Point - Programmable 20-500 PPM in 10 PPM increments
 Relay 2 Trip Point - Programmable 20-500 PPM in 10 PPM increments
 Relay Hysteresis - Programmable 10-100 PPM in 5 PPM increments
 Relay Delay - Programmable 0-10 minutes in 1 minute increments
 Optional Communications:.....BACNet or Modbus (Refer to installation instructions for full details)
 Wiring Connections:.....Screw terminal block (14 to 22 AWG)
 External Dimensions:.....Space, 145 x 101 x 64mm (5.7" w x 4" h x 2.5" d)
 Duct, 145 x 101 x 240mm, (5.7" w x 4" h x 9.5" d) includes probe
 Enclosure Ratings:.....Space (4) - ABS - UL94-V - IP65 (NEMA 4X)
 Duct (5) - ABS - UL94-V - IP65 (NEMA 4X)
 Field Calibration:.....By applying calibration gas standards (Contact Greystone for calibration kit)
 Accessories:.....Calibration kit, model# CMD-CALKIT-GS

TYPICAL INSTALLATION:

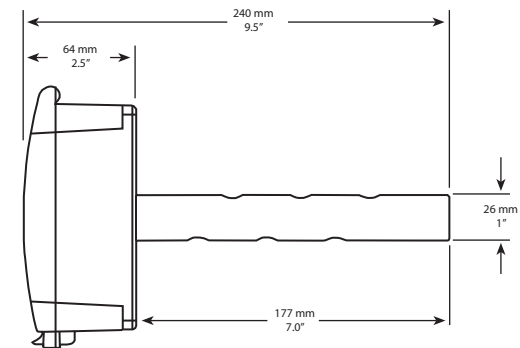
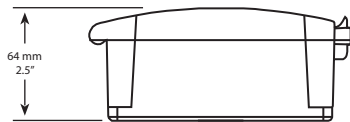
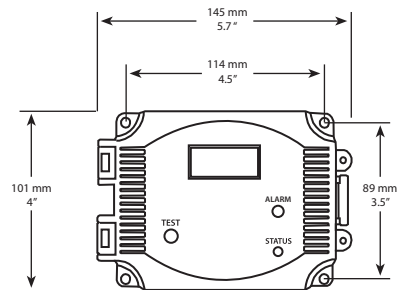
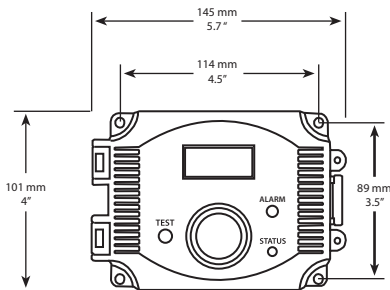
For complete installation and wiring details, please refer to the product installation instructions.

The CMD Space can be mounted directly to a wall using the 4 mounting holes provided.

The CMD Duct is installed through the side of the duct, and fastened securely to the duct through the mounting holes provided.



DIMENSIONS:



QPTUSA International Corp
20851 Johnson Street Unit #105
Pembroke Pines, FL 33029
Phone: 305-883-9949
Email: info@qptusa.com