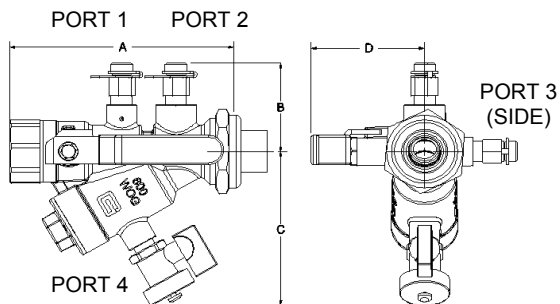
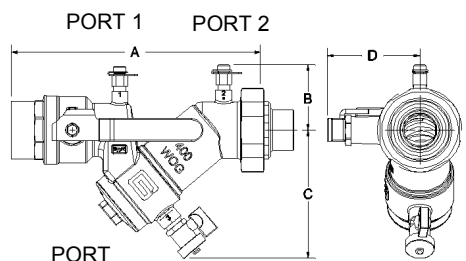


1/2" - 1/2" Housing



-1/2" - 2" Housing



ACCESSIBLE CARTRIDGE

SPECIFICATIONS:

PSI/Temperature Rating:	1/2"-1-1/2": 400 PSI / 250° F 1-1/2"L-2": 275 PSI / 250° F
Cartridge:	AISI Type 304 stainless steel AISI Type 17-7 PH stainless steel spring
Strainer:	20 mesh stainless steel
Body Material:	1/2"-1-1/2": Forged brass ASTM B283-06 1-1/2"L-2": Cast brass
End Connections:	Brass – NPT, Sweat or ProPress ¹
Ball Valve Seals:	Teflon
Union Seal:	EPDM O-Ring
Body Tappings²:	Port 1 and 2: Combination P/T Test Valve and Manual Air Vent (CPTA); Port 4: Drain, 1/4" in YY1, 1/2" in YY2 and YY3
Ball Valve:	Nickel-plated brass ball Optional: Stainless Steel ball
Field Repairable Stem:	Dual Teflon seals and EPDM O-ring
Assembly:	Valve comes fully assembled
Options:	Port 2: Bypass ³ (1/2" on YY1), Insulation Option

DIMENSIONS & WEIGHTS (NOMINAL)

SIZE	A - FIXED END CONNECTION		UNION END CONNECTION ⁴						B	C	D	Cv ^{5,6}	WEIGHT (LBS.)		
	FNPT	SWT	FNPT		MNPT		SWT								
1/2"	5.1	5.3	1/2", 3/4": 1.0	1": N/A ⁷	1/2"-3/4": 1.0	1": 1.4	3/8", 3/4": 1.0	1/2": 0.7	1": 1.3	2.2	3.8	2.2	8.4	2.6	
3/4"	5.2	5.3													
1"	5.2	5.4	1", 1-1/4", 1-1/2": 1.7		1", 1-1/4", 1-1/2": 1.7 ⁸		1", 1-1/4": 1.7		1-1/2": 1.4		2.5	4.8	2.3	19.1	5.2
1"L	7.5	7.8													
1-1/4"	7.2	7.3													
1-1/2"	7.1	7.5	1-1/4", 1-1/2": 1.6		2": N/A ⁷		1-1/4", 2": 1.6		1-1/2": 1.7		2.6	5.3	2.5	37	7.0
1-1/2"L	9.6	9.8													
2"	9.5	10.1													

For ProPress connections add 3.1" (1/2") 3.6" (3/4"), 4.1" (1") to the FNPT length (A) listed for a valve. These are for planning purpose only, contact factory for actual measurement at time of order.

NOTES

- ¹ ProPress is available on 1/2" to 1" valves only.
- ² Body Tappings for accessories are a leak proof metal to metal seal and do not require pipe dope or tape. Tape or dope should not be used.
- ³ Bypass is only available on 1/2" to 1-1/2" valve. 1"L to 1-1/2" valves have a bypass that is a line size tee.
- ⁴ For overall length, add union end connection length to body length.
- ⁵ Cv's are based on housing with a clean 20 mesh strainer but without the cartridge.
- ⁶ Cv's are based on housing without cartridge.
- ⁷ Tailpiece is not available for this size. Male tailpiece used with coupling.
- ⁸ 1-1/4"-1-1/2" valves can also take 1/2"-3/4" MNPT tailpieces.

Replaces form F-4093B and F-4203F

This specification © 2012 Griswold Controls



MODEL NUMBER SELECTION⁹

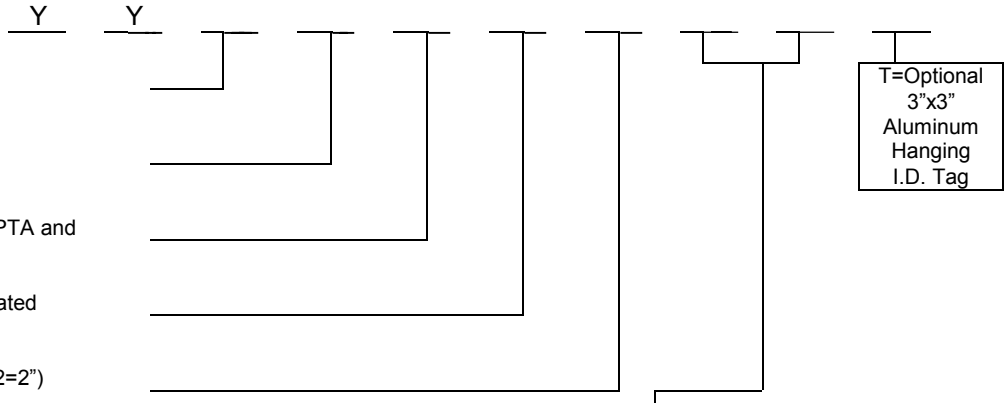
Select a Housing Size (1=1/2"-1", 2=1"L-1-1/2", 3=1-1/2"L-2")

Select a PSID control range: (1=1-14, 2=2-32, 4=4-57, 8=8-128)

Select an Accessory Package: (B=CPTA and Drain, C=CPTA, Drain and Bypass¹⁰)

Select Ball and Stem Package (P=Plated Ball, S=SS Ball and Stem)

Insulation Option¹¹ (0=No, 1=1-1/2", 2=2")



Valve	FIXED END OR UNION END ¹² (No Union Tailpiece=Z)			UNION END ONLY ¹²
	Female Threaded	Female Sweat	ProPress ¹³	Male Threaded
YY1	1/2"=E, 3/4"=F, 1"=G ¹⁴	3/8"=K ¹⁵ , 1/2"=L, 3/4"=M, 1"=N	1/2"=2, 3/4"=3, 1"=1	1/2"=H, 3/4"=I, 1"=J
YY2	1"=G, 1-1/4"=P, 1-1/2"=Q	1"=N, 1-1/4"=K, 1-1/2"=W	N/A	1/2"=H, 3/4"=I, 1"=J, 1-1/4"=S, 1-1/2"=T
YY3	1-1/4"=P ¹⁵ , 1-1/2"=Q, 2"=R ¹⁴	1-1/4"=K ¹⁵ , 1-1/2"=W, 2"=Y	N/A	1-1/4"=S, 1-1/2"=T, 2"=U

FLOW RATES (+/-5%)

SIZE	MODEL NO.	HEAD LOSS IN FEET ¹⁶	PSID RANGE	GPM
1/2", 3/4", 1"	YY11	3.5	1-14	.33, .50, .67, 1.00, 1.33, 1.67, 2.00, 2.33, 2.67, 3.33, 4.00, 4.67, 5.00
	YY12	7.4	2-32	.55, .75, 1.00, 1.50, 2.00, 2.50, 3.00, 3.50, 4.00, 5.00, 6.00, 7.00, 8.00
	YY14	13.4	4-57	.75, 1.00, 1.33, 2.00, 2.67, 3.33, 4.00, 4.67, 5.33, 6.67, 8.00, 9.33, 10.00
	YY18	30.0	8-128	1.10, 1.50, 2.00, 3.00, 4.00, 5.00, 6.00, 7.00, 8.00, 10.0, 12.0, 14.0, 16.0
1"L, 1-1/4", 1-1/2"	YY21	3.5	1-14	5.33, 6.00, 6.67, 7.33, 8.00, 8.67, 9.33, 10.00, 10.67, 11.33, 12.00, 12.67, 13.33, 14.00, 14.67
	YY22	7.4	2-32	8.0, 9.0, 10.0, 11.0, 12.0, 13.0, 14.0, 15.0, 16.0, 17.0, 18.0, 19.0, 20.0, 21.0, 22.0
	YY24	13.4	4-57	10.67, 12.0, 13.33, 14.67, 16.0, 17.33, 18.67, 20.00, 21.33, 22.67, 24.0, 25.33, 26.67, 28.0, 29.33
	YY28	30.0	8-128	16.0, 18.0, 20.0, 22.0, 24.0, 26.0, 28.0, 30.0, 32.0, 34.0, 36.0, 38.0, 40.0, 42.0, 44.0
1-1/2"L, 2"	YY31	3.5	1-14	12.0, 14.0, 16.0, 18.0, 20.0, 22.0, 24.0, 26.0, 28.0, 30.0, 32.0, 34.0, 36.0, 38.0
	YY32	7.4	2-32	18.0, 21.0, 24.0, 27.0, 30.0, 33.0, 36.0, 39.0, 42.0, 45.0, 48.0, 51.0, 54.0, 57.0
	YY34	13.4	4-57	24.0, 28.0, 32.0, 36.0, 40.0, 44.0, 48.0, 52.0, 56.0, 60.0, 64.0, 68.0, 72.0, 76.0
	YY38	30.0	8-128	36.0, 42.0, 48.0, 54.0, 60.0, 66.0, 72.0, 78.0, 84.0, 90.0, 96.0, 102, 108, 114

NOTES

- ⁹ Model no. and flow rate are indicated on label affixed to body.
- ¹⁰ Bypass is only available on 1/2" to 1-1/2" valve. 1"L to 1-1/2" valves have a bypass that is a line size tee.
- ¹¹ Insulation Option includes handle cover and Accessory extensions.
- ¹² Select the Fixed End First and the Union End Second.
- ¹³ ProPress option is a tailpiece on the union side and/or a FNPT valve with a ProPress adapter on the fixed end side.
- ¹⁴ Tailpiece is not available for this size. Male tailpiece used with coupling.
- ¹⁵ Fixed end not available for this size. Union tailpiece only.
- ¹⁶ Head Loss in Feet is provided for pump head calculations. (1 PSI = 2.307 Feet of Water)

Replaces form F-4093B and F-4203F

This specification © 2012 Griswold Controls



QPTUSA International Corp
20851 Johnson Street Unit #105
Pembroke Pines, FL 33029
Phone: 305-883-9949
Email: info@qptusa.com

