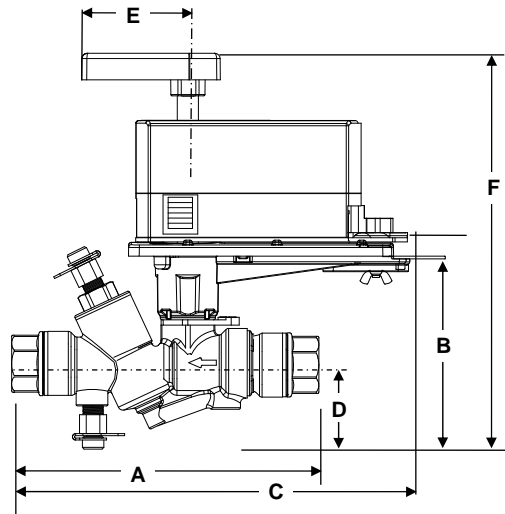


PRESSURE INDEPENDENT CONTROL VALVE SPECIFICATIONS



Static Pressure: 360 PSI
Temperature Range: -22°F to 250°F
Service: Chilled water, hot water, up to 50% Glycol, or contact factory for additional fluids.
Flow Optimizer: Glass Filled Polymer
Body Material: Forged Brass ASTM B283-06
End Connections: Brass
Stem: Brass
Stem Seals: EPDM O-Rings
Ball Valve: Nickel-plated brass ball
 Optional: Stainless Steel ball
Field Repairable Stem: Dual Teflon seals and EPDM O-ring
Ball Seals: Teflon Seals with EPDM O-Rings
Accessories: Combination P/T Test Valve and Manual Air Vent (CPTA) Standard

DIMENSIONS & WEIGHTS (NOMINAL) (measured in inches/lbs. unless noted)

SIZE	A LENGTH ¹	B HEIGHT	C LENGTH ¹	D HEIGHT	E HANDLE	F HEIGHT ²	WEIGHT	
1/2"	5.7	5.3	8.6	2.0	2.5	10.0	2.5	
3/4"	5.7		8.6					
1"	5.9		8.7					
1"L	9.5	6.0	11.3	2.5		10.5		7.1
1-1/4"	9.0		11.0					
1-1/2"	8.8		10.8					
1-1/2"L	10.8	6.8	12.6	3.0	11.5	13.7		
2"	11.0		13.0					
2-1/2"	11.5		13.3					
3"	12.8		14.4					

NOTES:

¹ Length measured with fixed end FNPT; SWT end connection may be longer.

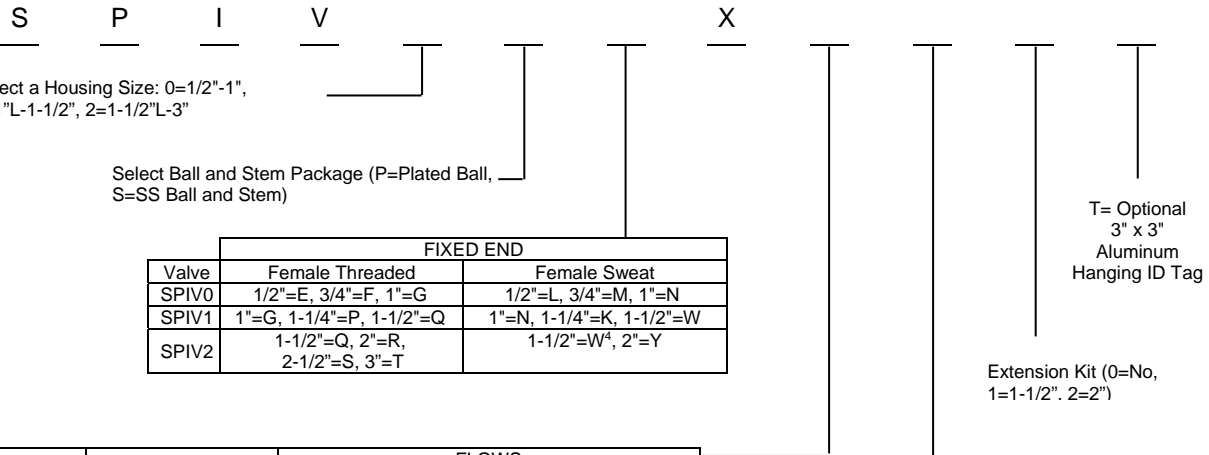
² Height is measured with 5.3" long shaft. If Neptonic, KMC Controls, or Siemens actuators are used deduct 1.3" from the height.

HIGH LIMIT FLOW RATES (+/-5%)

To correctly size your valve, select a high limit flow rate that is equal to or greater than the required flow rate.

SIZE	MODEL NO.	PSID RANGE	HEAD LOSS IN FEET ³	CLOSE-OFF PSID	GPM
1/2", 3/4", 1"	SPIV0	3-35	6.9	100	1.0, 2.0, 3.0, 4.0, 5.0, 6.0, 7.0
3/4", 1"		6-35	13.8		8.0, 9.0, 10.0, 11.0, 15.0
1"L, 1-1/4", 1-1/2"	SPIV1	4-50	9.2		10, 15, 20
		5-50	11.5		25,30
1-1/4", 1-1/2"	SPIV2	6.5-50	14.9		35
1-1/2"L, 2", 2-1/2",3"		4-58	9.2		25, 30, 35
		6-58	13.8		40, 45, 50
		7-58	16.1		55, 60, 65, 70, 75, 80, 85
		11-58	25.3		95

MODEL NUMBER SELECTION



SIZE	MODEL NO.	FLOWS
1/2", 3/4", 1"	SPIV0	1.0, 2.0, 3.0, 4.0, 5.0, 6.0, 7.0
3/4", 1"		8.0, 9.0, 10.0, 11.0, 15.0
1"L, 1-1/4", 1-1/2"	SPIV1	10, 15, 20
1-1/4", 1-1/2"		25,30
1-1/2"L, 2", 2-1/2",3"	SPIV2	35
		25, 30, 35
		40, 45, 50
		55, 60, 65, 70, 75, 80, 85
2", 2-1/2",3"		95

Insert Actuator Model Number. If Actuator is supplied by others, insert "1" for Neptronic, "2" for Johnson Controls, "3" for Schneider Electric, "4" for Honeywell, "5" for Siemens, "6" for Belimo, "7" for KMC Controls



NOTES:

³ Head loss in feet is required for pump head calculations. (1 PSI = 2.307 feet of water).
⁴ Sweat fixed end not available for this size. A fixed end with sweat adapter can be used as a substitute.



QPTUSA International Corp
 20851 Johnson Street Unit #105
 Pembroke Pines, FL 33029
 Phone: 305-883-9949
 Email: info@qptusa.com