

Turbo Tube Silent M

IN METAL NOISE ABSORBING CASE

Fresh air in
your house!



REVOLUTIONARY QUIET & ENERGY EFFICIENT



SOLUTION FOR:

- BATHROOMS
- KITCHENS
- APARTMENTS
- OFFICES
- LIBRARIES
- EDUCATION FACILITIES
- GALLERIES and more

Following the latest worldwide ventilation trends we developed a **NEW INLINE MIXED FLOW FAN – TURBO TUBE SILENT M** series – with **Super Low Noise** and **Excellent Aerodynamics**.

TURBO TUBE SILENT M fans provide ultra quiet operation & excellent airflow even in high pressure systems. The specifically designed and optimized case and the new aerodynamic mixed flow impeller ensure the highest performance.

TURBO TUBE SILENT M – BENEFITS

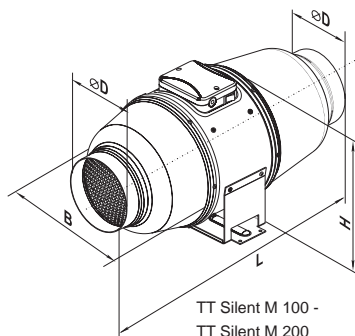
- SILENT OPERATION: **0.1 – 1.9 Sones**
- HIGH PERFORMANCE: **up to 1050 CFM**
- ENERGY EFFICIENT: **22 – 353 W**
- DUCT COMPATIBILITY: **Ø 4", 5", 6", 8", 10", 12 3/8"**
- COMPATIBLE WITH HIGH PRESSURE SYSTEM
- DOUBLE-SPEED CAPACITOR MOTOR WITH THERMAL OVERLOAD PROTECTION
- LONG-LIFE BALL BEARING (up to 40 000 hours)
- BUILT-IN SPEED SWITCH & POWER CORD
- ROTARY AND REMOVABLE CENTRAL BODY FOR EASY INSTALLATION & MAINTENANCE
- COMPACT SIZE FOR LIMITED SPACES
- DURABLE METAL NOISE ABSORBING CASE
- VIBRATION – FREE OPERATION



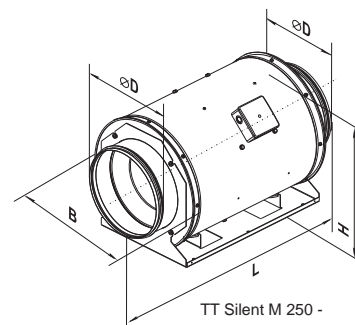
Turbo Tube Silent product sheet

Dimensions

Model	Measurements [in.]			
	ØD	B	H	L
TT Silent M 100	3 7/8"	8 1/2"	9 7/16"	19 7/8"
TT Silent M 125	4 13/16"	8 9/16"	9 3/8"	18 11/16"
TT Silent M 150	5 13/16"	9 3/4"	10 3/16"	22 13/16"
TT Silent M 200	7 13/16"	9 11/16"	10 15/16"	20 7/16"
TT Silent M 250	9 13/16"	14 3/4"	14 5/16"	25 3/16"
TT Silent M 315	12 3/8"	17 1/8"	17 3/8"	31 7/8"



TT Silent M 100 -
TT Silent M 200



TT Silent M 250 -
TT Silent M 315

Performance

Model	Duct dia	Speed	RPM*	Sones	Watts*	Amps*	CFM vs. Static Pressure (Ps) in WG											Volts
							0	0.1	0.2	0.3	0.4	0.5	0.6	0.7	0.8	0.9	1	
TT Silent M 100	4"	high	2363	0.5	28	0.24	128	113	97	76	56	32	10	-	-	-	-	120 V / 60 Hz
		low	2065	0.1	22	0.2	99	81	62	40	12	-	-	-	-	-	-	120 V / 60 Hz
TT Silent M 125	5"	high	2303	0.2	35	0.3	188	174	158	130	94	60	30	0	-	-	-	120 V / 60 Hz
		low	1990	0.1	23	0.22	116	90	68	38	0	-	-	-	-	-	-	120 V / 60 Hz
TT Silent M 150	6"	high	2570	0.3	67	0.55	327	314	299	284	266	245	224	190	140	89	48	120 V / 60 Hz
		low	1847	0.1	53	0.45	240	220	192	171	135	111	86	56	28	5	-	120 V / 60 Hz
TT Silent M 200	8"	high	2303	1	111	0.93	473	455	432	405	379	352	313	274	221	155	89	120 V / 60 Hz
		low	1990	0.2	70	0.58	349	323	294	249	203	158	108	57	26	13	0	120 V / 60 Hz
TT Silent M 250	10"	high	2570	1.9	200	1.68	880	874	866	858	850	842	832	821	794	751	708	120 V / 60 Hz
		low	1847	1	130	1.11	655	648	630	608	587	565	531	497	450	390	330	120 V / 60 Hz
TT Silent M 315	12 ^{3/8} "	high	2570	2.6	353	2.95	1050	1026	999	971	942	914	884	853	823	794	764	120 V / 60 Hz
		low	1847	1.2	236	1.95	830	804	770	726	682	638	581	524	464	399	335	120 V / 60 Hz

* The parameters RPM, Watts, Amps are indicated at 0.2 in WG static pressure.

Specification

Voltage: 120 V / 60 Hz

Motor: single-phase asynchronous two speed motor

Duct compatibility: Ø 4", 5", 6", 8", 10", 12^{3/8}"

Airflow capacity: up to 1050 CFM

Sones: 0.1 – 1.9

Power consumption: 22 – 353 W

Suitable for working airstreams up to 140 °F

IPX4 protection

Thermal overload protection

Power cord included

Five year warranty



QPTUSA International Corp
20851 Johnson Street Unit #105
Pembroke Pines, FL 33029
Phone: 305-883-9949
Email: info@qptusa.com

