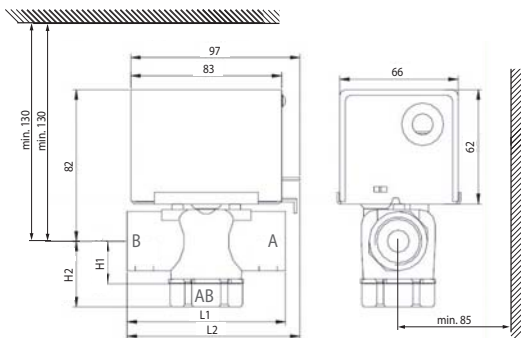


Technical Data	
Operating pressure limits	300 PSI (100kPa)
Service	hot and chilled water, up to 50% glycol
Motor voltage	24VAC @ 50/60Hz, 110/120VAC @ 50/60Hz, 230VAC @ 50Hz/60Hz
Power consumption	6.5Watts, 7 VA
Stroke speed	power stroke 13 to 18 seconds, spring return stroke 4 to 5 seconds
Seat leakage	zero leakage 100% bubble-tight close-off
Body materials	
Body	forged brass
Stem	nickel-plated
Seat	brass
Paddle	NBR
Actuator materials	stainless steel base plate, plastic cover
Ambient temperature limits	
Shipping & storage	-40° to +160° (-40 to +71°)
Operating fluid	32° to 200° (0 to 93°)
Operating ambient	32° to 104° (0 to 40°)

Dimensions



Type	DN	Inches	L1	L2	H1	H2
EXT-SW-SE	15	1/2"	70	86	23	—
EXT-SW-SE	20	3/4"	70	86	37	—
EXT-SW-SE	25	1"	87	93	23	—
EXT-SW-NE	15	1/2"	87	93	—	37
EXT-SW-NE	20	3/4"	94	95	—	25
EXT-SW-NE	25	1"	94	95	—	42

Applications

- Fan coil units and baseboards where fail safe operation or 2-wire control is required
- Hydronic systems with variable or constant flow

Mode of Operation

- Zone valves provide a convenient way to create individual zones or equipment isolation in a hydronic system.
- Utilizing one pump along with multiple zone valves, flow can be started, stopped, or diverted through the system to provide individual room or area comfort control and energy savings.

Product Features

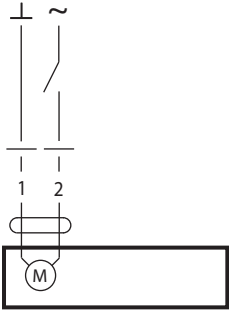
Zone valve is designed to fit in compact areas where on/off control is required using 24 VAC, 120VAC or 230VAC.

2-Way Sweat Valves				
Part Numbers	Size in [DN]	C _v	ΔP	Weight
EXT-SW-SE152C3	1/2" [15]	3.5	29	.70Kg
EXT-SW-SE202C5	3/4" [20]	5	25	.85Kg
EXT-SW-SE252C8	1" [25]	8	19	1.00Kg
3-Way Sweat Valves				
EXT-SW-SE153C2	1/2" [15]	3	49	.75Kg
EXT-SW-SE153C3	1/2" [15]	4	29	.75Kg
EXT-SW-SE203C5	3/4" [20]	5	25	.90Kg
EXT-SW-SE253C8	1" [25]	8	19	1.05Kg
2-Way NPT Valves				
EXT-SW-NE152C2	1/2" [15]	2.5	49	.70Kg
EXT-SW-NE152C3	1/2" [15]	3.5	29	.70Kg
EXT-SW-NE202C3	3/4" [20]	3.5	29	.85Kg
EXT-SW-NE202C5	3/4" [20]	5	25	.85Kg
EXT-SW-NE252C8	1" [25]	8	19	1.00Kg
3-Way NPT Valves				
EXT-SW-NE153C2	1/2" [15]	3	49	.75Kg
EXT-SW-NE153C3	1/2" [15]	4	29	.75Kg
EXT-SW-NE203C5	3/4" [20]	5	25	.90Kg
Actuators				
EXT-SW-V1	24VAC, NC Actuator			.40Kg
EXT-SW-V2	120VAC, NC Actuator			.40Kg
EXT-SW-V4	230VAC, NC Actuator			.40Kg

EXT..., 2-Way/3-Way Zone Valves with Rotary Actuator, 24 VAC, 120VAC, or 230 VAC



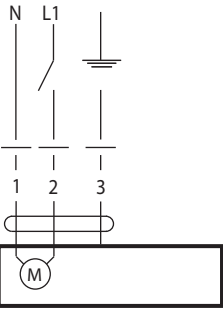
Wiring Diagrams



Rotary actuator	Rotary valve
L1	B - A = 0%
L1	B - A = 100%

Rotary actuator	Rotary valve
L1	AB - B = 0% AB - A = 100% B - A = 0%
L1	AB - B = 100% AB - A = 0% B - A = 0%

24 VAC



Rotary actuator	Rotary valve
L1	B - A = 0%
L1	B - A = 100%

Rotary actuator	Rotary valve
L1	AB - B = 0% AB - A = 100% B - A = 0%
L1	AB - B = 100% AB - A = 0% B - A = 0%

120/230 VAC