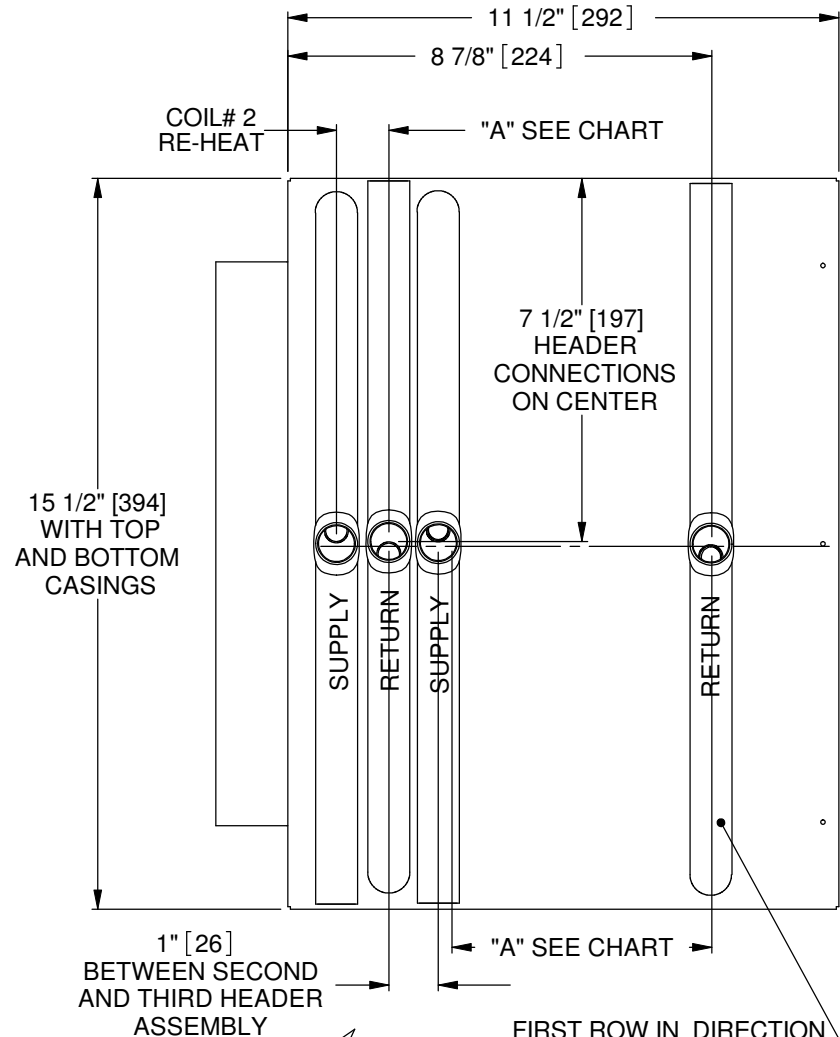
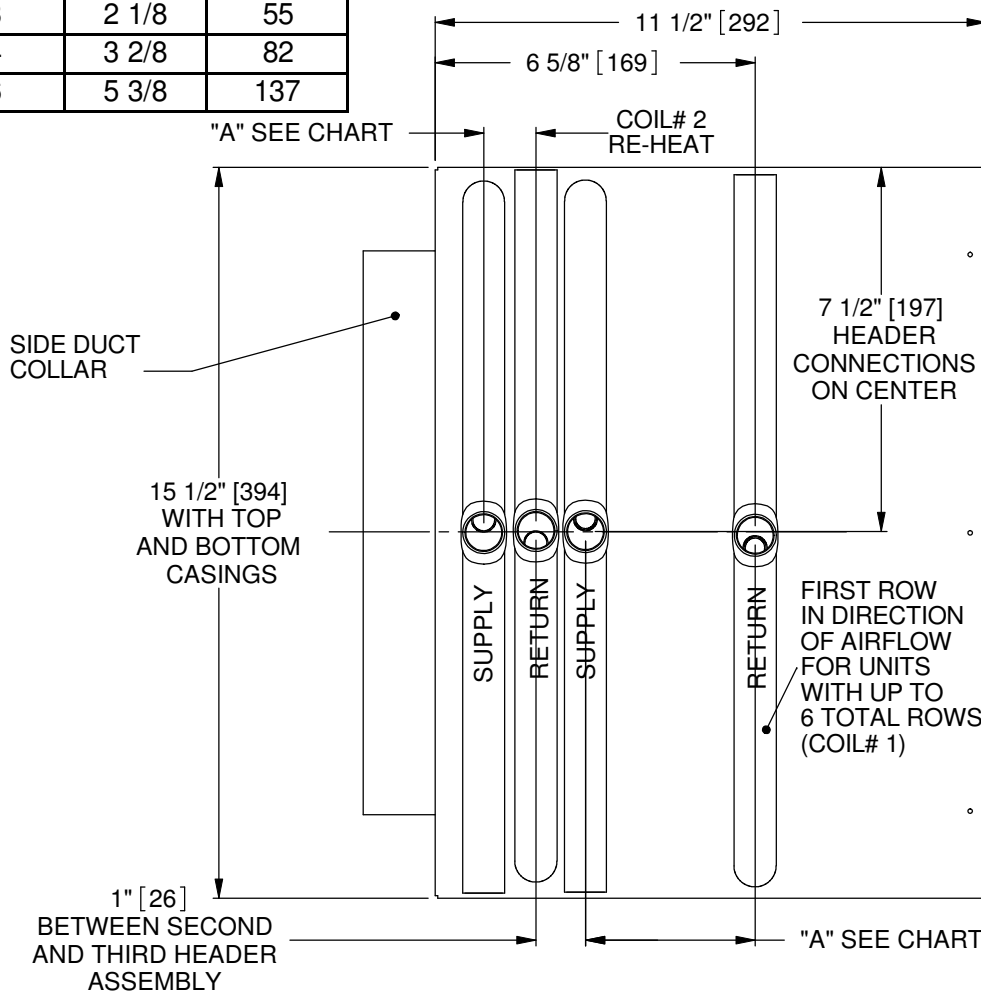


COIL ROWS	DIM "A"	
	inches	[mm]
1*	1 1/8	27
2	1 1/8	27
3	2 1/8	55
4	3 2/8	82
6	5 3/8	137

4 PIPE WATER COILS WITH UP TO 6 TOTAL ROWS

4 PIPE WATER COILS WITH 7-8 TOTAL ROWS



- NOTES:
- 1*. THIS DIMENSION APPLIES TO 1 ROW 2 CIRCUIT COILS ONLY. 1 ROW SINGLE CIRCUIT COIL CONNECTIONS HAVE NO HEADERS, SHARE THE SAME VERTICAL AXIS AND ARE 13 3/4" [349] APART.
 2. SEE SUBMITTAL 82-80003 FOR CONNECTION DIAMETERS.



THIS DRAWING CONTAINS PROPRIETARY DATA. UNAUTHORIZED DISCLOSURE, REPRODUCTION, OR USE IS STRICTLY PROHIBITED WITHOUT WRITTEN PERMISSION.

SUBMITTAL DRAWING
ALL DRAWINGS ARE SUBJECT TO CHANGE WITHOUT PRIOR NOTICE.

DO NOT SCALE DRAWING
DIMENSIONS ARE IN INCH [MM] FORMAT +/- 1/8 [3] UNLESS OTHERWISE NOTED

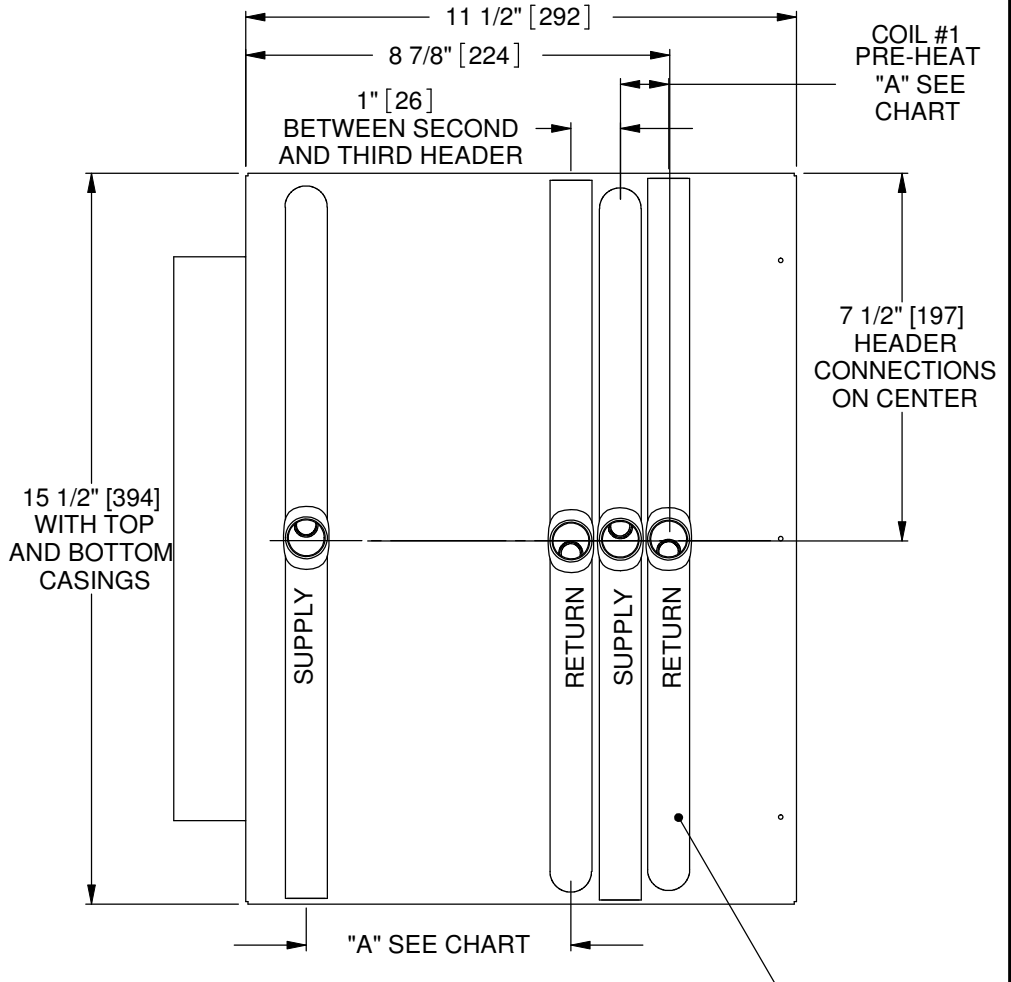
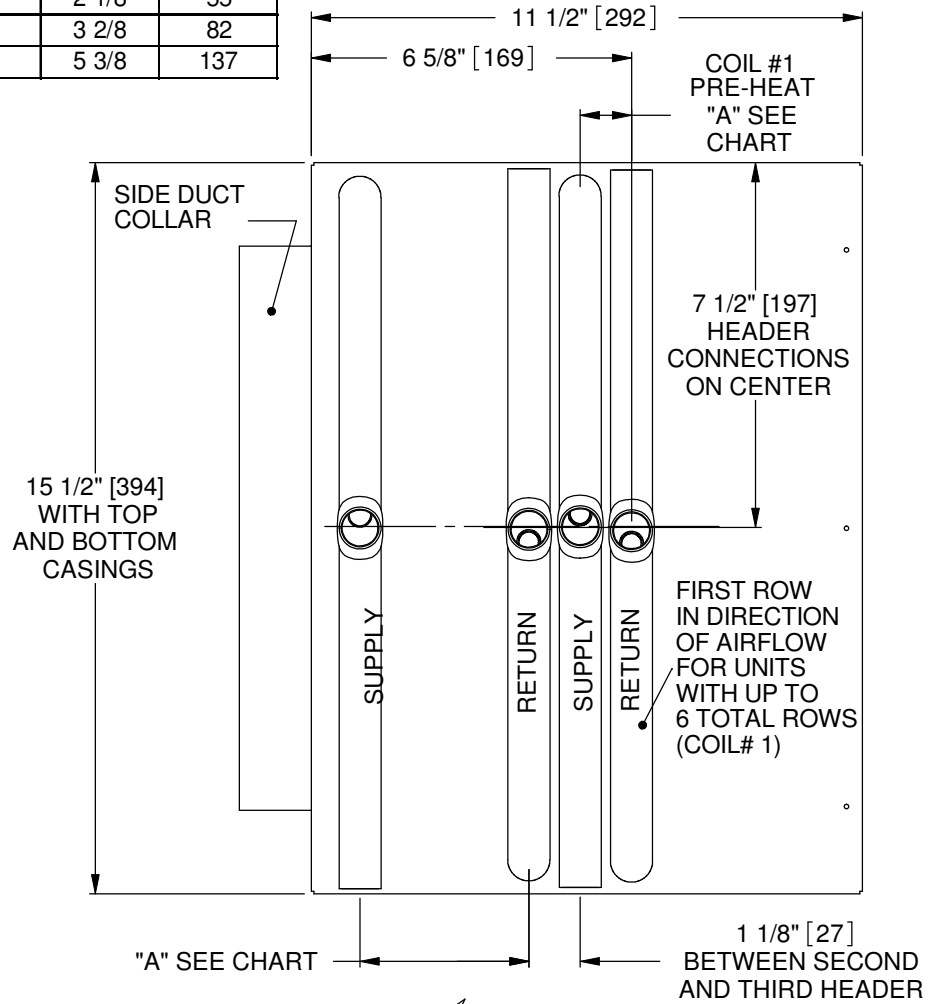
TITLE: **HP SERIES FAN COIL UNIT RE-HEAT WATER COIL CONNECTIONS**

DATE	SHEET	DRAWING NO	REV
02/11/09	1 OF 4	82-80010	03

COIL ROWS	DIM "A"	
	inches	[mm]
1*	1 1/8	27
2	1 1/8	27
3	2 1/8	55
4	3 2/8	82
6	5 3/8	137

4 PIPE WATER COILS WITH UP TO 6 TOTAL ROWS

4 PIPE WATER COILS WITH 7-8 TOTAL ROWS



- NOTES:
 1*. THIS DIMENSION APPLIES TO 1 ROW 2 CIRCUIT COILS ONLY. 1 ROW SINGLE CIRCUIT COIL CONNECTIONS HAVE NO HEADERS, SHARE THE SAME VERTICAL AXIS AND ARE 13 3/4" [349] APART.
 2. SEE SUBMITTAL 82-80003 FOR CONNECTION DIAMETERS.



THIS DRAWING CONTAINS PROPRIETARY DATA. UNAUTHORIZED DISCLOSURE, REPRODUCTION, OR USE IS STRICTLY PROHIBITED WITHOUT WRITTEN PERMISSION.

SUBMITTAL DRAWING

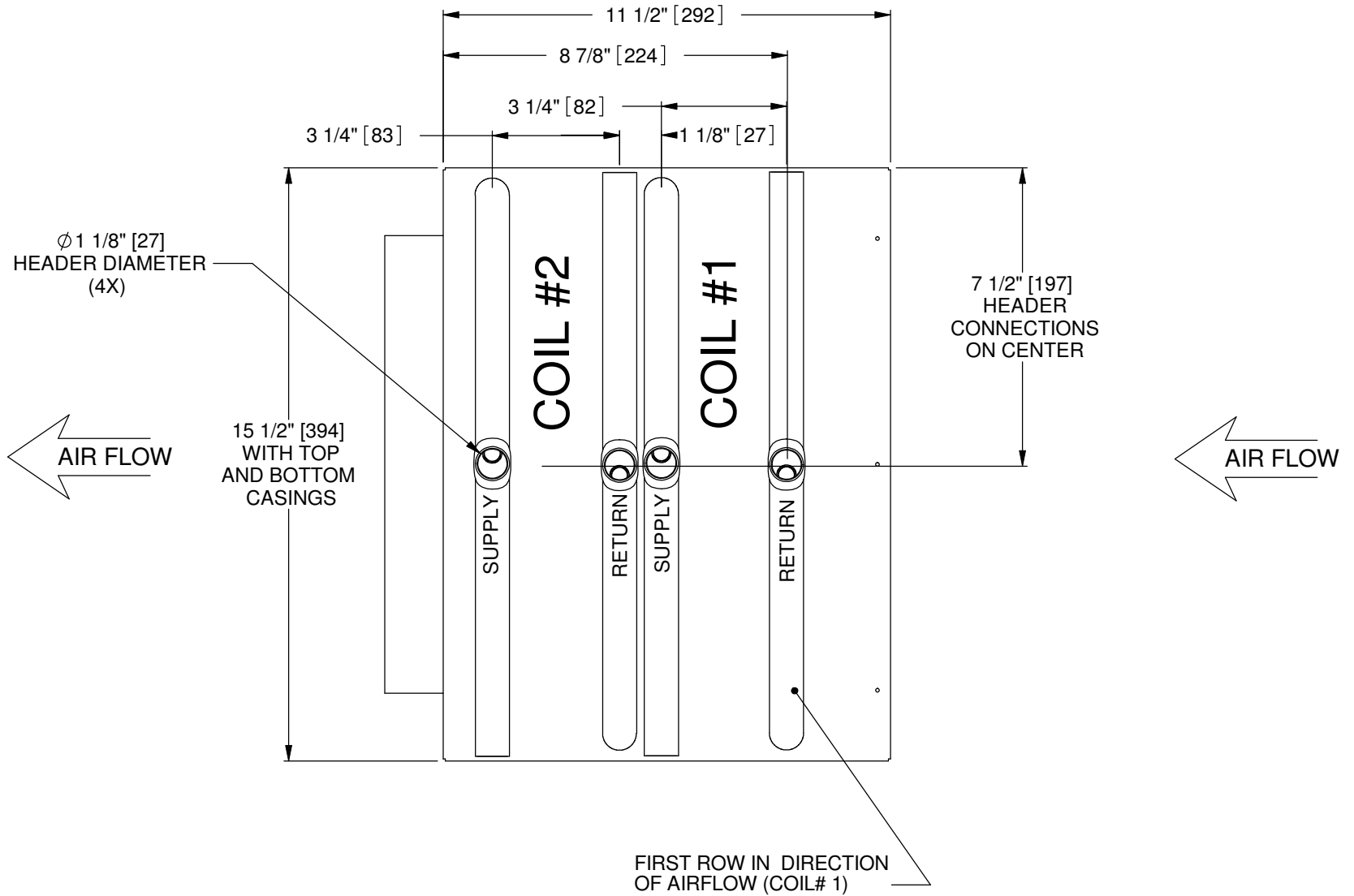
ALL DRAWINGS ARE SUBJECT TO CHANGE WITHOUT PRIOR NOTICE

DO NOT SCALE DRAWING
 DIMENSIONS ARE IN INCH [MM] FORMAT
 +/- 1/8 [3] UNLESS OTHERWISE NOTED

TITLE: **HP SERIES FAN COIL UNIT
 PRE-HEAT WATER COIL CONNECTIONS**

DATE	SHEET	DRAWING NO	REV
02/11/09	2 OF 4	82-80010	03

4 PIPE 4 ROW CW WITH 4 ROW HW COIL



NOTES:

1. CHW COIL IS RECOMMENDED IN THE COIL #1 POSITION.
2. LEFT HAND UNIT SHOWN, RIGHT HAND UNIT OPPOSITE.



THIS DRAWING CONTAINS PROPRIETARY DATA. UNAUTHORIZED DISCLOSURE, REPRODUCTION, OR USE IS STRICTLY PROHIBITED WITHOUT WRITTEN PERMISSION.

SUBMITTAL DRAWING

ALL DRAWINGS ARE SUBJECT TO CHANGE WITHOUT PRIOR NOTICE

DO NOT SCALE DRAWING

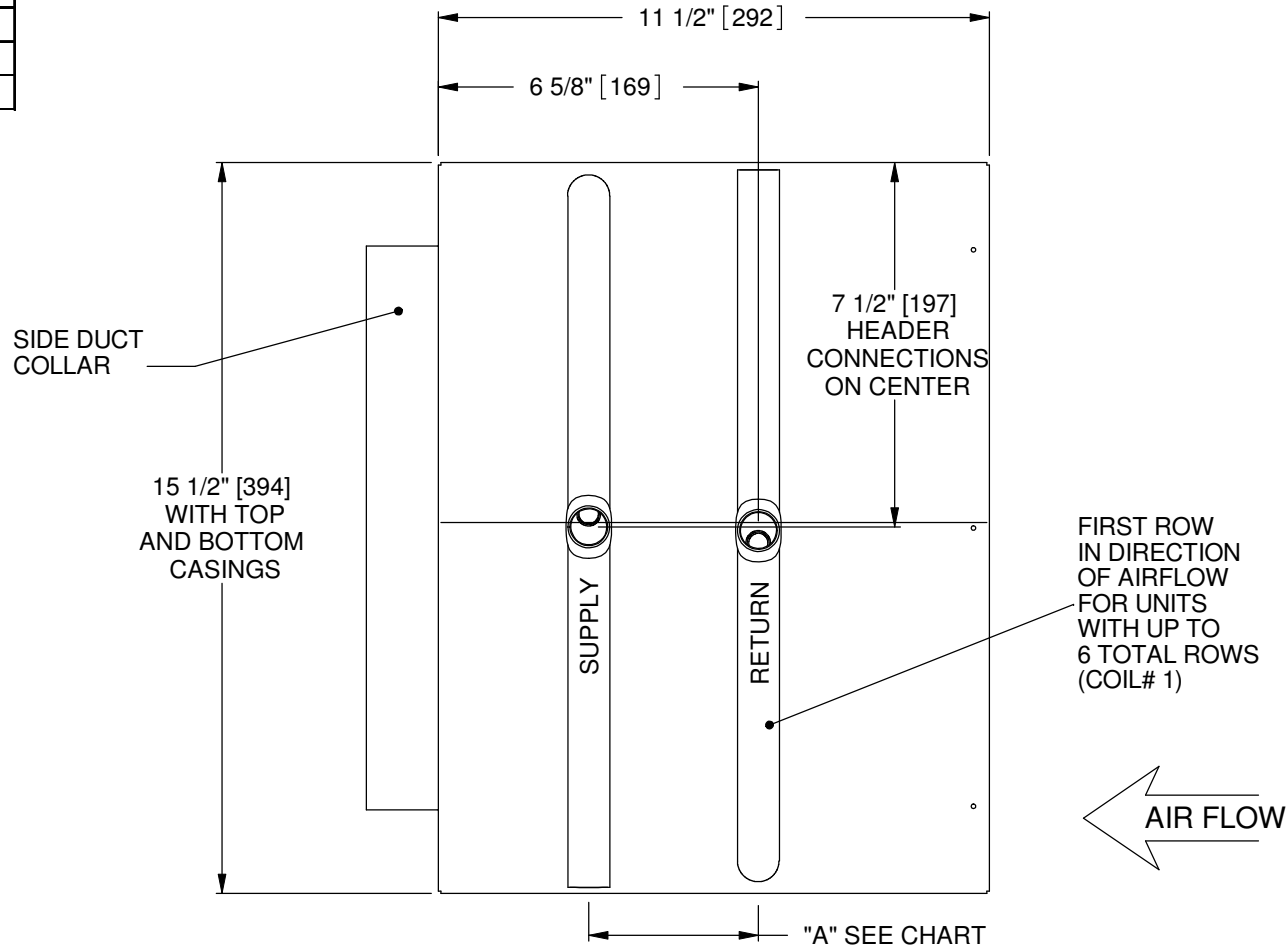
DIMENSIONS ARE IN INCH [MM] FORMAT +/- 1/8 [3] UNLESS OTHERWISE NOTED

TITLE: **HP 4 PIPE - 4RW CW & 4RW HW SUBMITTAL**

DATE	SHEET	DRAWING NO	REV
02/11/09	3 OF 4	82-80010	03

COIL ROWS	DIM "A"	
	inches	[mm]
1*	1 1/8	27
2	1 1/8	27
3	2 1/8	55
4	3 2/8	82
6	5 3/8	137

2 PIPE WATER COIL UNITS WITH UP TO 6 TOTAL ROWS



- NOTES:
- 1*. THIS DIMENSION APPLIES TO 1 ROW 2 CIRCUIT COILS ONLY. 1 ROW SINGLE CIRCUIT COIL CONNECTIONS HAVE NO HEADERS, SHARE THE SAME VERTICAL AXIS AND ARE 13 3/4" [349] APART.
 2. SEE SUBMITTAL 82-80003 FOR CONNECTION DIAMETERS.

UNCONTROLLED WHEN PRINTED



ENVIRO-TEC®

THIS DRAWING CONTAINS PROPRIETARY DATA. UNAUTHORIZED DISCLOSURE, REPRODUCTION, OR USE IS STRICTLY PROHIBITED WITHOUT WRITTEN PERMISSION.

SUBMITTAL DRAWING

ALL DRAWINGS ARE SUBJECT TO CHANGE WITHOUT PRIOR NOTICE

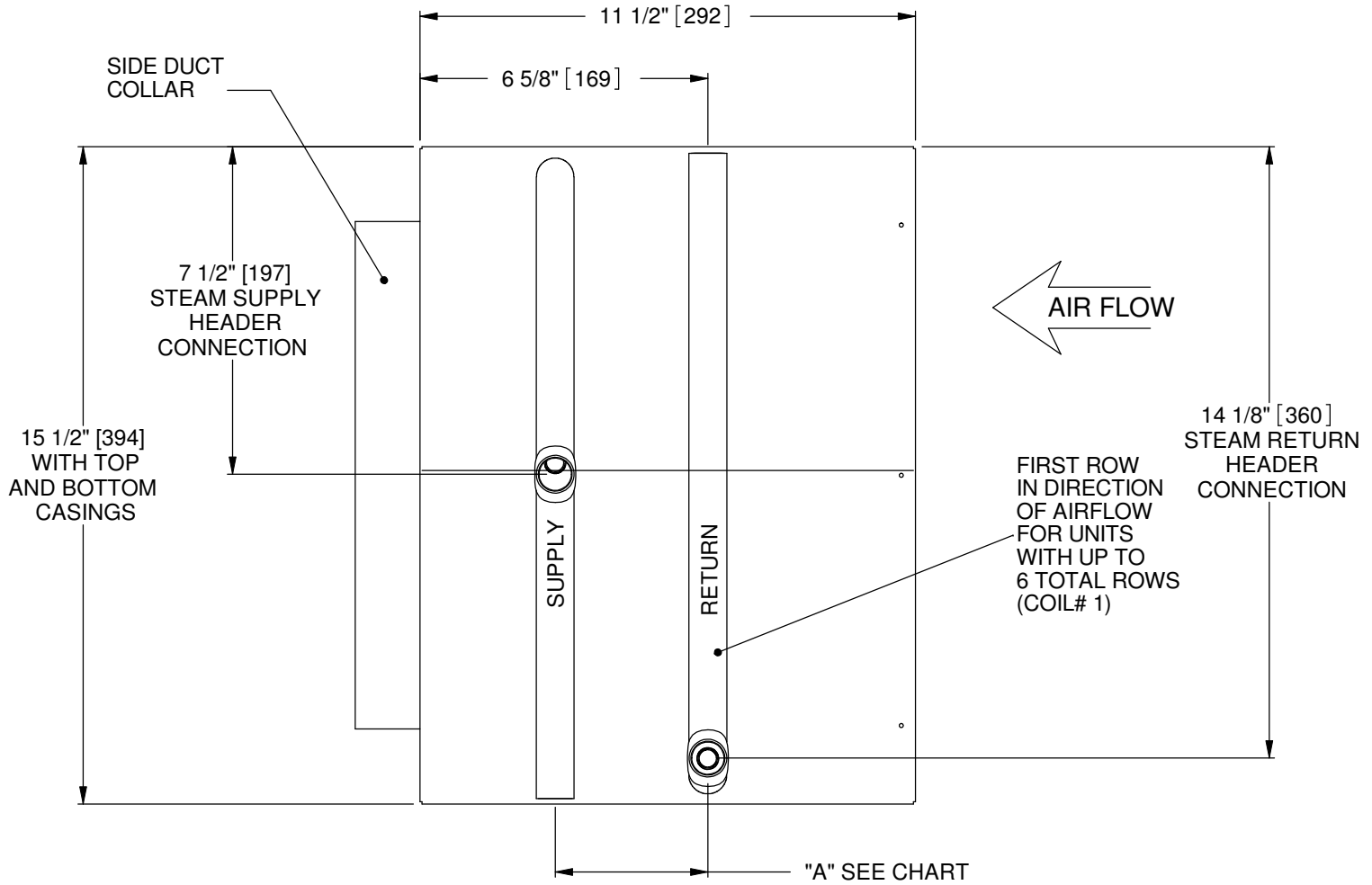
DO NOT SCALE DRAWING
DIMENSIONS ARE IN INCH [MM] FORMAT
+/- 1/8 [3] UNLESS OTHERWISE NOTED

TITLE: **HP SERIES FAN COIL UNIT
2-PIPE WATER COIL CONNECTIONS**

DATE	SHEET	DRAWING NO	REV
02/11/09	4 OF 4	82-80010	00

COIL ROWS	DIM "A"	
	inches	[mm]
1	1 1/8	27
2	1 1/8	27

STEAM COIL UNITS



NOTES:
1. SEE SUBMITTAL 82-80003 FOR CONNECTION DIAMETERS.

UNCONTROLLED WHEN PRINTED



THIS DRAWING CONTAINS PROPRIETARY DATA. UNAUTHORIZED DISCLOSURE, REPRODUCTION, OR USE IS STRICTLY PROHIBITED WITHOUT WRITTEN PERMISSION.

SUBMITTAL DRAWING

ALL DRAWINGS ARE SUBJECT TO CHANGE WITHOUT PRIOR NOTICE

DO NOT SCALE DRAWING
DIMENSIONS ARE IN INCH [MM] FORMAT
+/- 1/8 [3] UNLESS OTHERWISE NOTED

TITLE:

SUBMITTAL TITLE
SUBMITTAL TITLE

DATE

1/1/2001

SHEET

1 OF 1

DRAWING NO

REV

00