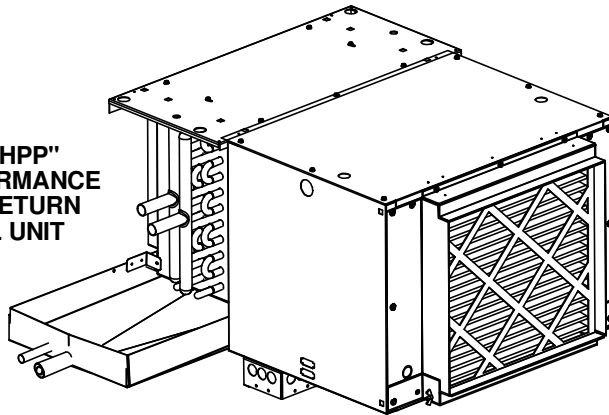
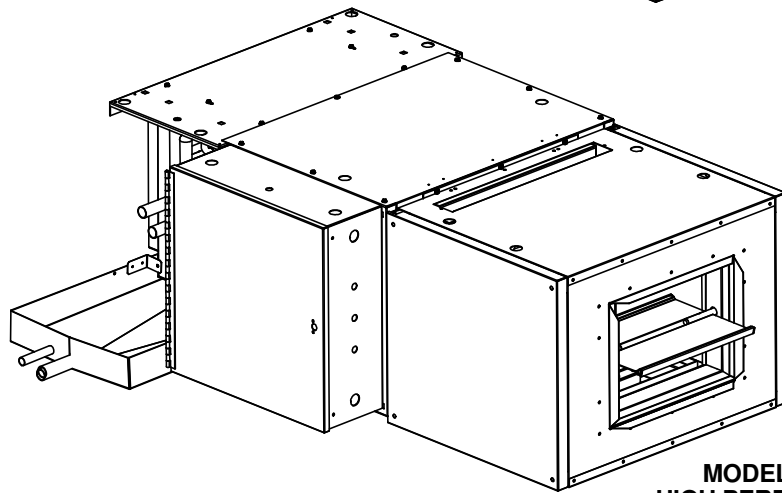


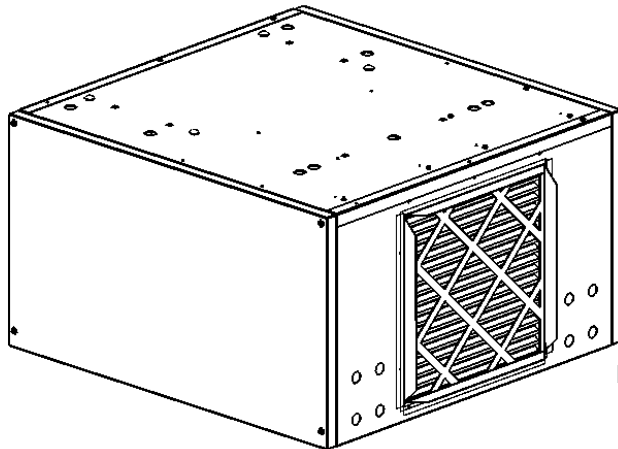
**MODEL "HPF"
HIGH PERFORMANCE
FREE RETURN
FAN COIL UNIT**



**MODEL "HPP"
HIGH PERFORMANCE
PLENUM RETURN
FAN COIL UNIT**



**MODEL "HPM"
HIGH PERFORMANCE
MIXING BOX
FAN COIL UNIT**



**MODEL "HPE"
HIGH PERFORMANCE
ENCLOSED CABINET
FAN COIL UNIT**

NOTES:

1. ALL DIMENSIONS ARE IN INCHES [mm] AND ARE +/- 1/8"
2. COIL HANDING IS FIELD REVERSIBLE (LEFT HAND UNITS SHOWN)

WATER COIL CONNECTION SIZES

Unit Size	Type	Number of Rows	Conn. Size (OD)
06	HW	1	5/8
06	HW	2	5/8
06	HW	3	7/8
06	CW	3	7/8
06	HW	4	7/8
06	CW	4	7/8
06	CW	6	7/8
08	HW	1	5/8
08	HW	2	5/8
08	HW	3	7/8
08	CW	3	7/8
08	HW	4	7/8
08	CW	4	7/8
08	CW	6	7/8
10	HW	1	5/8
10	HW	2	5/8
10	HW	3	7/8
10	CW	3	7/8
10	HW	4	7/8
10	CW	4	7/8
10	CW	6	7/8
12	HW	1	5/8
12	HW	2	7/8
12	HW	3	7/8
12	CW	3	7/8
12	HW	4	7/8
12	CW	4	7/8
12	CW	6	1 1/8
14	HW	1	5/8
14	HW	2	7/8
14	HW	3	7/8
14	CW	3	7/8
14	HW	4	1 1/8
14	CW	4	1 1/8
14	CW	6	1 1/8
16	HW	1	5/8
16	HW	2	7/8
16	HW	3	7/8
16	CW	3	7/8
16	HW	4	1 1/8
16	CW	4	1 1/8
16	CW	6	1 1/8
18	HW	1	5/8
18	HW	2	7/8
18	HW	3	7/8
18	CW	3	1 1/8
18	HW	4	1 1/8
18	CW	4	1 1/8
18	CW	6	1 1/8
20	HW	1	5/8
20	HW	2	7/8
20	HW	3	1 1/8
20	CW	3	1 1/8
20	HW	4	1 1/8
20	CW	4	1 1/8
20	CW	6	1 1/8



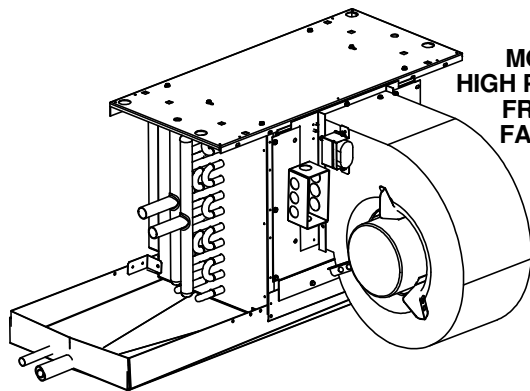
THIS DRAWING CONTAINS PROPRIETARY DATA. UNAUTHORIZED DISCLOSURE, REPRODUCTION, OR USE IS STRICTLY PROHIBITED WITHOUT WRITTEN PERMISSION.

SUBMITTAL DRAWING
ALL DRAWINGS ARE SUBJECT TO CHANGE WITHOUT PRIOR NOTICE

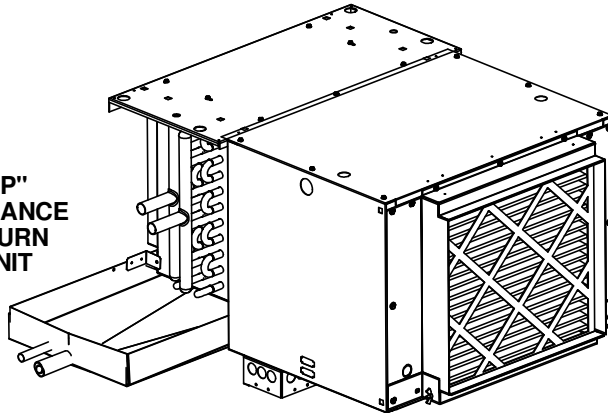
DO NOT SCALE DRAWING
DIMENSIONS ARE IN INCHES UNLESS OTHERWISE NOTED

TITLE: **HP SERIES FAN COIL UNIT
WATER COIL PIPING CONNECTIONS**

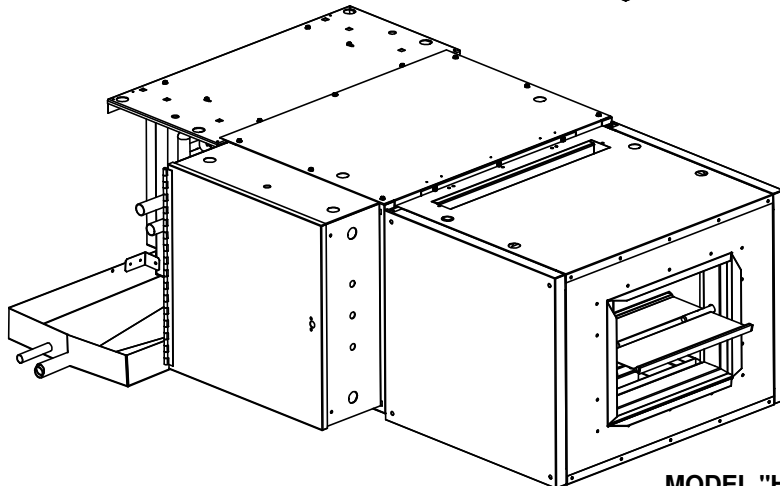
DATE	SHEET	DRAWING NO	REV
07/20/17	PAGE 1 OF 2	82-80003	08



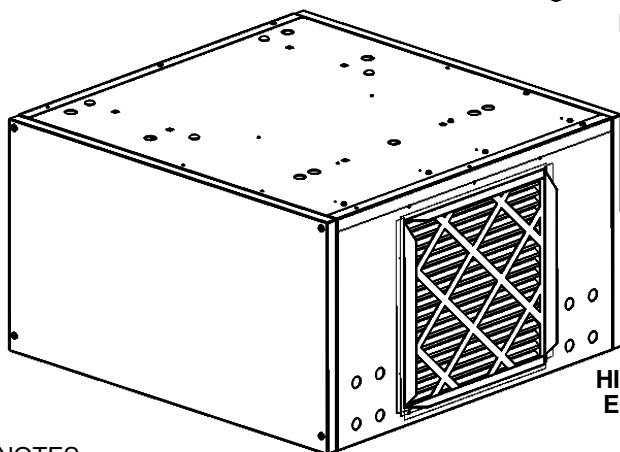
**MODEL "HPF"
HIGH PERFORMANCE
FREE RETURN
FAN COIL UNIT**



**MODEL "HPP"
HIGH PERFORMANCE
PLENUM RETURN
FAN COIL UNIT**



**MODEL "HPM"
HIGH PERFORMANCE
MIXING BOX
FAN COIL UNIT**



**MODEL "HPE"
HIGH PERFORMANCE
ENCLOSED CABINET
FAN COIL UNIT**

NOTES:

1. THE LIQUID LINES ARE ALL 5/8" SAE WITH THE EXCEPTION OF THE HP SIZE 18 AND 20 SIX ROW FOUR CIRCUIT COILS THAT ARE ABOVE 75,000 BTUs WHICH HAVE 7/8" ODM CONNECTIONS.

DX COIL CONNECTION SIZES

Unit Size	Number of Rows	Number of Circuits	Conn. Size (OD)
06	3	1	5/8
06	4	1	5/8
06	6	1	5/8
08	3	1	5/8
08	4	1	5/8
08	4	2	5/8
08	6	1	5/8
08	6	2	5/8
10	3	1	5/8
10	4	1	5/8
10	4	2	5/8
10	6	1	5/8
10	6	2	5/8
12	3	1	5/8
12	3	2	5/8
12	4	1	5/8
12	4	2	5/8
12	6	2	5/8
12	6	3	7/8
14	3	1	5/8
14	3	2	5/8
14	4	2	5/8
14	4	3	7/8
14	6	2	5/8
14	6	3	7/8
16	3	2	5/8
16	3	3	7/8
16	4	2	5/8
16	4	3	7/8
16	6	2	5/8
16	6	3	7/8
18	3	2	5/8
18	3	3	7/8
18	4	2	5/8
18	4	3	7/8
18	6	3	7/8
18	6	4	7/8
20	3	2	5/8
20	3	3	7/8
20	4	2	5/8
20	4	3	7/8
20	6	3	7/8
20	6	4	7/8



THIS DRAWING CONTAINS PROPRIETARY DATA. UNAUTHORIZED DISCLOSURE, REPRODUCTION, OR USE IS STRICTLY PROHIBITED WITHOUT WRITTEN PERMISSION.

SUBMITTAL DRAWING
ALL DRAWINGS ARE SUBJECT TO CHANGE WITHOUT PRIOR NOTICE

DO NOT SCALE DRAWING
DIMENSIONS ARE IN INCH (MM) FORMAT
+/- .18 (3) UNLESS OTHERWISE NOTED

TITLE: **HP SERIES FAN COIL UNIT
DX COIL PIPING CONNECTIONS**

DATE	SHEET	DRAWING NO	REV
07/20/17	PAGE 2 OF 2	82-80003	08