

# Air King<sup>®</sup>

## Ventilation Products

### SPECIFICATIONS

# AS50

## EXHAUST FANS

**50 CFM/3.0 SONES @ 0.10" WG. -HVI CERTIFIED**  
**120 Volts, 0.9 amps, 60 hz.**

• **Grill**

White, polymeric grill secured in place with torsion springs; easily removed if necessary, dimensions - 10" x 9 1/2".

• **Blower Wheel**

One piece polymeric wheel, 4 1/2" diameter, 1" wide, with 10 fins.

• **Motor**

Single coil plug-in, two pole motor, life time lubrication, thermally protected. Rated 120 volts, 60 hz., 0.9 amps.

• **Fan Housing**

23 gauge galvanized metal housing, dimensions 7 1/4" x 7 1/4" x 3 3/4", double metal thickness mounting tabs.

• **Duct Collar**

Plastic collar for 3" duct connection, comes complete with built in non-metallic back draft damper for quiet operation.

• **Ventilating Area**

For bathrooms up to 50 sq. ft. for other rooms up to 60 sq. ft.

• **Unit Mounting**

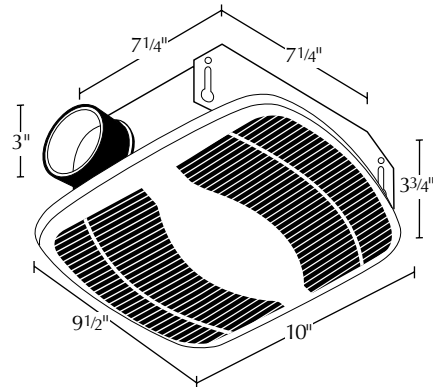
Rated for ceilings insulated to R-40. Designed to mount in ceilings or walls with at least 4" of clearance. The housing will mount through drywall thickness up to 3/4", with a rough-in opening of 7 1/2" x 7 1/2".

• **Single Pack Shipping Info**

Box Dim: 10 3/4" x 10 1/8" x 4 3/4"

UPC: 0-8316225311-8

Shipping Weight: 4 1/2 lbs.



## CUL/HVI

Acceptable for use over tub or shower when installed in a GFCI protected branch circuit.

### PERFORMANCE

	Static Pressure (inches of wg.)								HVI Sones @ .1 SP	Fan Speed RPM	Power Watts
	0	0.05	0.1	0.125	0.15	0.2	0.25	0.3			
<b>Air Flow - CFM</b>	55	53	50	49	47	44	39	34	3.0	2125	48

<b>PROJECT</b>							<b>ARCHITECT</b>				
<b>LOCATION</b>							<b>ENGINEER</b>				
<b>CONTRACTOR</b>							<b>SUBMITTED BY</b>			<b>DATE</b>	
FAN NUMBER	MODEL NUMBER	CFM	IN W.G.	RPM	WATTS	AMPS	SONES	QTY	OPTIONAL EQUIPMENT & REMARKS		



QPTUSA International Corp  
 20851 Johnson Street Unit #105  
 Pembroke Pines, FL 33029  
 Phone: 305-883-9949  
 Email: info@qptusa.com