

# BALL VALVE (NPT)

1/2" - 2"

# SYSTEM COMPONENTS



## SPECIFICATION SHEET

SIZES : 1/2" - 2"

FULL PORT 90 DEGREE BALL VALVE

**BODY MATERIAL:** BRASS ALLOY ASTM B584

**BALL MATERIAL:** CHROME PLATED BRASS

**SEALS MATERIAL:** TEFLON, NATURAL, OR WHITE

**HANDLE MATERIAL:** ZINC PLATED STEEL

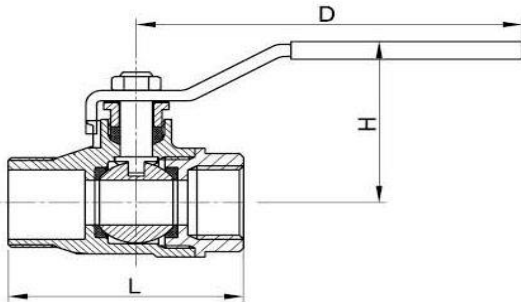
**HANDLE COVER:** GREY PLASTIN

**PRESSURE RATING:** 150 WSP - 600 WOG

PIPE THREAD TO ANSI STANDARD B1.20.1 (NPT)

**TEMPERATURE :** -20°C~+120°C ;

**MEDIUM :** WATER, OIL, NON - CORROSIVE LIQUID



## SPECIFICATION SHEET

Dimensions		in mm				
Part No.	7342-04	7243-04	7244-04	7245-04	7340-04	7813-04
SIZE	1/2"	3/4"	1"	1 1/4"	1 1/2"	2"
L	58.3	65	77.2	90	96.5	114
H	40	45	56	65	73	81
D	95	110	110	138	158	158
B	14	19	24	31	39	49



QPTUSA International Corp  
 20851 Johnson Street Unit #105  
 Pembroke Pines, FL 33029  
 Phone: 305-883-9949  
 Email: info@qptusa.com