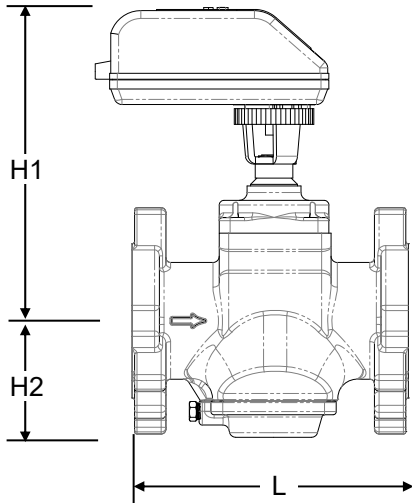


PRESSURE-INDEPENDENT CONTROL VALVE

SPECIFICATIONS

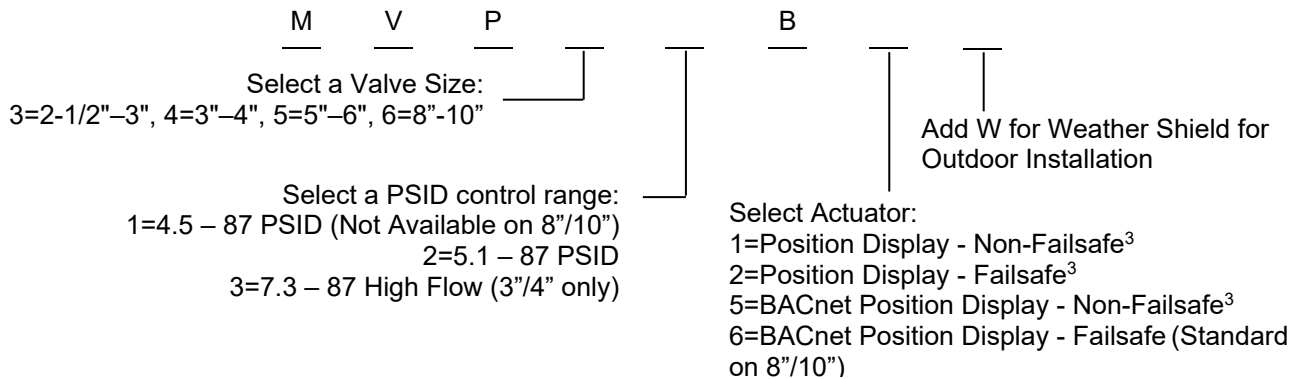


<b>Static Pressure:</b>	580psid
<b>Media Temperature:</b>	-4° to 248°F
<b>Ambient Temperature:</b>	14° to 122°F
<b>Body Material:</b>	Ductile Iron, ASTM A395, Class 60-40-18
<b>Flow Regulation Unit:</b>	316 Stainless Steel
<b>Diaphragm:</b>	Hydrogenated acrylonitrile butadiene rubber
<b>End Connections<sup>1</sup>:</b>	ANSI Class 150/300
<b>Stem Seals:</b>	EPDM and Nitrile O-Rings
<b>Test Ports:</b>	1/4" ISO
<b>Maximum Close Off Pressure:</b>	100 PSID
<b>Maximum Operational ΔP:</b>	87 PSID
<b>Shut Off Leakage:</b>	ANSI/FCI 70-2 2006 /IEC 60534-4 Class IV

DIMENSIONS & WEIGHTS (NOMINAL) (measured in inches/lbs. unless noted)

MODEL NO.	SIZE	L	H1	H2	ASME B16.5 WELD NECK		ASME B16.5 SLIP ON		WEIGHT <sup>2</sup>
					CLASS 150	CLASS 300	CLASS 150	CLASS 300	
MVP3__	2-1/2"	8.8"	9.7"	3.74"	•	•	•	•	27.8
	3"				•	•	•	•	
MVP4__	3"	12.6"	11.4"	5.3"	•	•	•	•	75
	4"				•	•	•	•	
MVP5__	5"	16.6"	13.3"	7.1"	•	•	•	•	148
	6"				•	•	•	•	
MVP6__	8"	28.5"	18.6"	11.5"	•	•	•	•	547
	10"				•	•	•	•	

MODEL NUMBER SELECTION



NOTES

<sup>1</sup> Studs and bolts are supplied for 2-1/2" / 3" valve only.

<sup>2</sup> Weight includes valve and actuator.

<sup>3</sup> Not available on 8" and 10" valve

Replaces form F-4271G

This specification © 2017 Griswold Controls

**FLOW RATES**

MODEL NO.	SIZE	PSID RANGE	MAXIMUM FLOW GPM	TURN DOWN RATIO – MAX FLOW	LOWEST MAX SETTING GPM	TURN DOWN RATIO – LOWEST MAX FLOW
MVP31	2-1/2" / 3"	4.5 – 87	113	1:228	40.7	1:38
MVP32	2-1/2" / 3"	5.1 – 87	157		56.3	
MVP41	3" / 4"	4.5 – 87	149		55.4	
MVP42	3" / 4"	5.1 – 87	225		75.0	
MVP43	3" / 4"	7.3 – 87	320		58.3	
MVP51	5" / 6"	4.5 – 87	369		103	
MVP52	5" / 6"	5.1 – 87	468		113	
MVP62	8" / 10"	5.1 - 87	1220		146	

**ACTUATOR SPECIFICATIONS**

- Supply Voltage:** 24V AC/DC
- Power Consumption:** 12 VA
- Frequency:** 50/60 HZ
- Control Input:** 0-10VDC, 2-10 VDC  
0-20mA, 2-20mA  
3-point floating
- Feedback Position Output:** Automatic Match of Control Input
- Turn Time:** 190 seconds (from closed to fully open)
- Electrical Connection:** 5 wires 22AWG halogen free cable, 1 meter
- Direction of Rotation:** Bi-directional
- Humidity Rating:** 5-95% RH non condensing
- Housing Insulation:** IP 54 including upside down mounting
- Housing Material:** UL94 V0-rated plastic
- Programming:** External programming of all settings, interface buttons and display
- Calibration:** Automatic calibration at start-up
- BACnet Device Profile:** BACnet Application Specific Controller (B-ASC) type server
- BACnet Protocol:** BACnet Master Slave/Token passing (MS/TP)
- BACnet Baud Rates:** Supported – 9600, 19200, 38400 and 76800
- BACnet Services (BIBBS):** DS-RP-B, DS-WP-B, DM-DDB-B, DM-DOB-B and DM-DCC-B