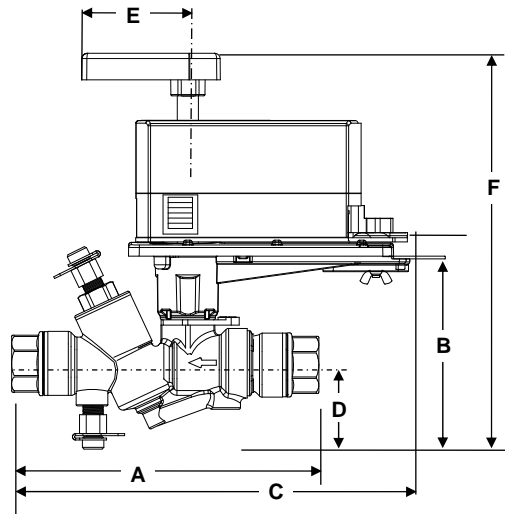


PRESSURE INDEPENDENT CONTROL VALVE SPECIFICATIONS



- Static Pressure:** 360 PSI
- Temperature Range:** -22°F to 250°F
- Service:** Chilled water, hot water, up to 50% Glycol, or contact factory for additional fluids.
- Flow Optimizer:** Glass Filled Polymer
- Body Material:** Forged Brass ASTM B283-06
- End Connections:** Brass
- Stem:** Brass
- Stem Seals:** EPDM O-Rings
- Ball Valve:** Nickel-plated brass ball
Optional: Stainless Steel ball
- Field Repairable Stem:** Dual Teflon seals and EPDM O-ring
- Ball Seals:** Teflon Seals with EPDM O-Rings
- Accessories:** Combination P/T Test Valve and Manual Air Vent (CPTA) Standard

DIMENSIONS & WEIGHTS (NOMINAL) (measured in inches/lbs. unless noted)

SIZE	A LENGTH ¹	B HEIGHT	C LENGTH ¹	D HEIGHT	E HANDLE	F HEIGHT ²	WEIGHT	
1/2"	5.7	5.3	8.6	2.0	2.5	10.0	2.5	
3/4"	5.7		8.6					
1"	5.9		8.7					
1"L	9.5	6.0	11.3	2.5		10.5		7.1
1-1/4"	9.0		11.0					
1-1/2"	8.8		10.8					
1-1/2"L	10.8	6.8	12.6	3.0	11.5	13.7		
2"	11.0		13.0					
2-1/2"	11.5		13.3					
3"	12.8		14.4					

NOTES:

¹ Length measured with fixed end FNPT; SWT end connection may be longer.

² Height is measured with 5.3" long shaft. If Neptonic, KMC Controls, or Siemens actuators are used deduct 1.3" from the height.

Replaces form F-4353

This specification © 2014 Griswold Controls

8/14

F-5509F



HIGH LIMIT FLOW RATES (+/-5%)

To correctly size your valve, select a high limit flow rate that is equal to or greater than the required flow rate.

Table with columns: SIZE, MODEL NO., PSID RANGE, HEAD LOSS IN FEET³, CLOSE-OFF PSID, and GPM. It lists specifications for models SPIV0, SPIV1, and SPIV2 across various sizes and PSID ranges.

MODEL NUMBER SELECTION

S P I V X

Select a Housing Size: 0=1/2"-1", 1=1"L-1-1/2", 2=1-1/2"L-3"

Select Ball and Stem Package (P=Plated Ball, S=SS Ball and Stem)

Table for FIXED END configurations showing Valve, Female Threaded, and Female Sweat options for models SPIV0, SPIV1, and SPIV2.

T= Optional 3" x 3" Aluminum Hanging ID Tag
Extension Kit (0=No, 1=1-1/2". 2=2")

Main selection table with columns: SIZE, MODEL NO., and FLOWS. It maps valve sizes to model numbers and their respective flow rates.

Insert Actuator Model Number. If Actuator is supplied by others, insert "1" for Neptronic, "2" for Johnson Controls, "3" for Schneider Electric, "4" for Honeywell, "5" for Siemens, "6" for Belimo, "7" for KMC Controls

NOTES:

³ Head loss in feet is required for pump head calculations. (1 PSI = 2.307 feet of water).
⁴ Sweat fixed end not available for this size. A fixed end with sweat adapter can be used as a substitute.

Replaces form F-4353
This specification © 2014 Griswold Controls



QPTUSA International Corp
20851 Johnson Street Unit #105
Pembroke Pines, FL 33029
Phone: 305-883-9949
Email: info@qptusa.com

