



## SERIES 161N - 162N COMPACT STYLE

Brass ball valve, FNPT threaded, full port sizes 1/2" to 4".

- Pressure rating 600 WOG-150 WSP.
- Temperature range -4°F to +366°F.
- Blow out proof stem, chrome plated brass ball.
- P.T.F.E seats and double O-ring stem packing.
- 100% electronically tested in the open and closed position at 80 psi.
- Not to be used for drinking water.
- Valve to be used in fully open or fully closed position.
- ANSI B1.20.1 connections.

161N: LEVER HANDLE - size 1/2" to 4".

162N: T-HANDLE - size 1/2" to 1".

For sizes 1/4", 3/8" see 171N.



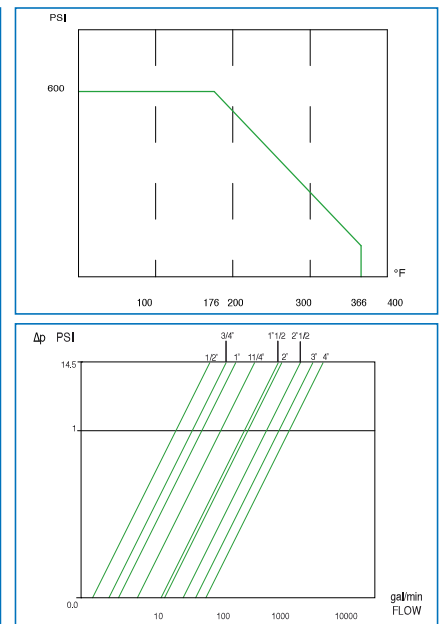
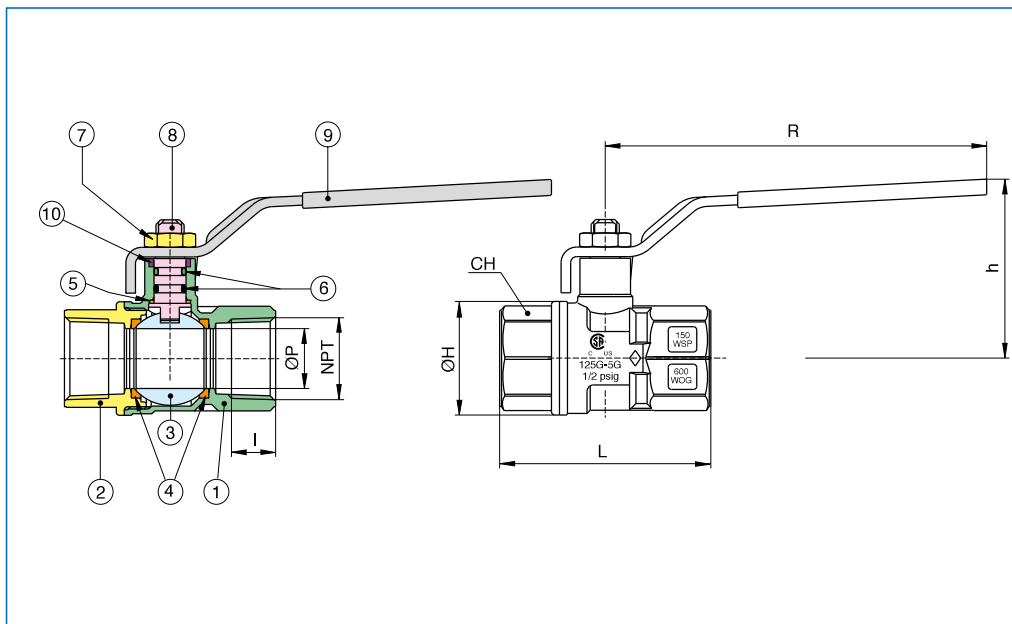
400 WOG



C US



MEETS THE DESIGN CRITERIA OF MSS\_SP\_110.



N POS	PART NAME	MATERIAL	N PCS
1	BODY	BRASS C38000	1
2	END CONNECTION	BRASS C38000	1
3	BALL	BRASS C38000	1
4	BALL SEAT	P.T.F.E	2
5	THRUST WASHER	P.T.F.E	1
6	O-RING	FKM (Viton®)	1
		NBR	1
7	NUT	STEEL CL04	1
8	STEM	BRASS C38500	1
9	HANDLE	STEEL DD11	1
10	PACKING RING	P.T.F.E	1

SIZE	ØP	I	L	ØH	CH	R	h	Cv	psi	Weight Lbs
1/2"	0.55	0.54	2.22	1.18	0.98	3.78	1.77	18.15	600	0.40
3/4"	0.75	0.55	2.46	1.42	1.22	4.76	2.22	32.37	600	0.68
1"	0.94	0.66	3.01	1.71	1.50	4.76	2.32	47.98	600	0.98
1 1/4"	1.19	0.68	3.37	2.09	1.89	5.94	2.85	97.80	600	1.66
1 1/2"	1.50	0.68	3.70	2.56	2.13	5.94	3.09	252.60	600	2.16
2"	1.95	0.70	4.31	3.39	2.64	6.30	3.70	290.75	600	3.52
2 1/2"	2.44	0.93	5.16	4.09	3.27	8.07	4.59	593.06	600	6.67
3"	2.99	1.02	5.94	4.96	3.86	8.07	4.98	958.84	600	9.82
4"	2.99	1.09	6.50	4.96	4.92	8.07	4.98	1526.59	600	12.57

**WARNING:** This product can expose you to chemicals including lead, which is known to the State of California to cause cancer and birth defects or other reproductive harm. For more information go to [www.p65warnings.ca.gov](http://www.p65warnings.ca.gov).



OPT USA International Corp  
20551 Johnson Street Unit #105  
Ponchartraine, LA 70009  
Phone: 504-883-9949  
Email: info@optusa.com

