

BUTTERFLY VALVE

SERIES N501N - N501S



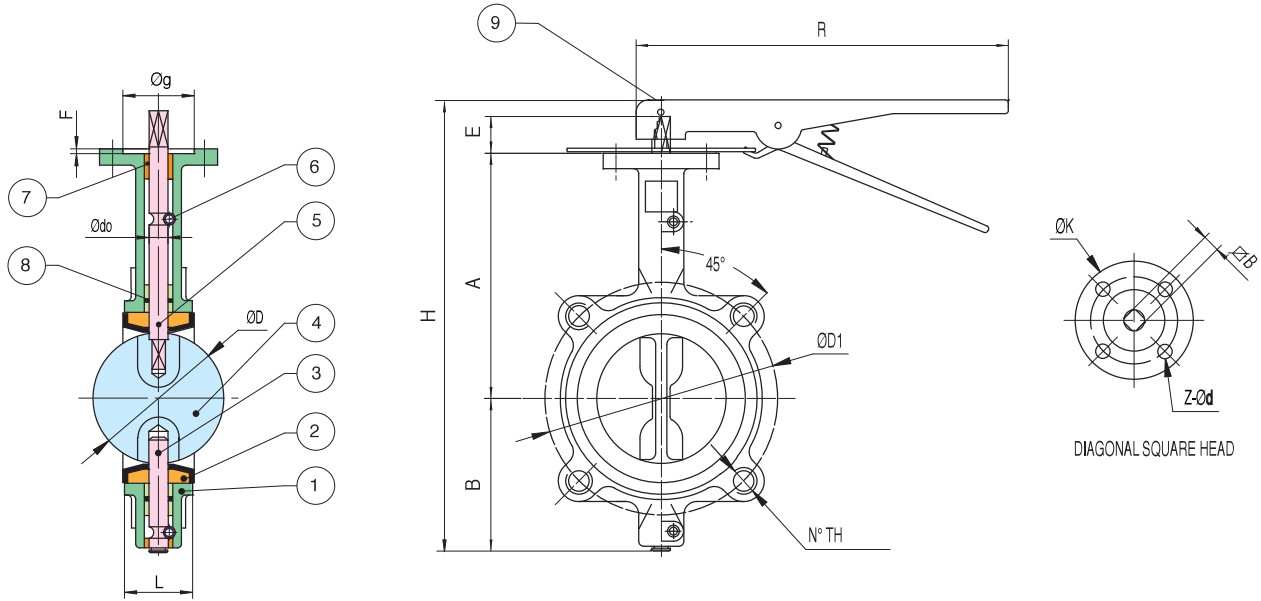
NSF/ANSI
61, 372

NYLON 11 COATED DISC CF8M SS DISC

Manually operated Lug butterfly valves.

- Epoxy coated ductile iron lug body.
- Sizes 1 1/2" to 12".
- ISO 5211 direct mounting pad/square stem.
- Food grade EPDM resilient seat -30°F to 250°F.
- API609 face to face flange.
- Floating dual shaft disc design.
- Pressure rating: 250 psi water (40°F to 80°F).
- MSS SP 67 compliant.
- No pins in disc prevent potential leak points.
- NSF certified for drinking water service (EPDM seats only).
- Dead end service to 100 psi.

531S: VITON SEATS.
541N-541S: BUNA-N SEATS.



PART NAME	MATERIAL	N PCS	SIZE	ISO 5211	∠B	A	B	L	ØD	E	H	R	Ødo	UPPER FLANGE				DISC	LUG	Weight Lbs	SEAT TORQUE		Cv (GPM@ 1psi)		
														ØK	Z-d	Øg	F				ØD1	N°-TH	100 psi	200 psi	50% OP
1	BODY	DUCTILE IRON	1	1 1/2"	F05	9 mm	5.71	2.97	1.61	1.67	0.47	12.95	10.63	0.50	3.03	4-0.28	1.38	0.12	4.74	4-5/8"-11	7.9	111	133	35	108
2	SEAT	EPDM (30F to 250F)	1	2"	F05	9 mm	6.34	3.15	1.65	2.07	0.47	13.94	10.63	0.50	3.03	4-0.28	1.38	0.12	4.74	4-5/8"-11	8.4	126	146	49	146
3	LOWER SHAFT	SS 416	1	2 1/2"	F05	9 mm	6.89	3.50	1.76	2.54	0.47	15.04	10.63	0.50	3.03	4-0.28	1.38	0.12	5.49	4-5/8"-11	9.3	134	167	84	284
4	DISC 500N	IRON NYLON 11	1	3"	F05	9 mm	7.13	3.74	1.78	3.10	0.47	15.51	10.63	0.50	3.03	4-0.28	1.38	0.12	6.00	4-5/8"-11	10.4	205	223	128	547
	DISC 500S	STAINLESS STEEL		4"	F07	11 mm	7.87	4.49	2.05	4.09	0.63	17	10.63	0.62	3.54	4-0.35	2.17	0.12	7.50	8-5/8"-11	19.8	339	386	195	844
5	UPPER SHAFT	SS 416	1	5"	F07	14 mm	8.34	5.00	2.14	4.85	0.75	17.94	10.63	0.75	3.54	4-0.35	2.17	0.12	8.50	8-3/4"-10	24	523	602	320	1375
6	LOCATING PIN	CARBON STEEL	1	6"	F07	14 mm	8.90	5.47	2.20	6.13	0.75	19.06	10.63	0.75	3.54	4-0.35	2.17	0.12	9.50	8-3/4"-10	31.3	677	996	418	1882
7	BUSHING	P.T.F.E.	1	8"	F10	17 mm	10.24	6.89	2.34	7.97	0.75	22.25	14.17	0.87	4.92	4-0.47	2.76	0.14	11.75	8-3/4"-10	40.1	1205	1864	745	3340
8	O-RING	EPDM	1	10"	F10	22 mm	11.50	7.99	2.58	9.86	0.94	24.77	19.68	1.12	4.92	4-0.47	2.76	1.40	14.25	12-7/8"-9	59.1	1890	3140	1264	5475
9	LEVER	EPOXY-COATED CARBON STEEL	1	12"	F10	22 mm	13.27	9.53	3.03	11.87	0.94	28.31	19.68	1.24	5.51	4-0.47	2.76	1.40	17.00	12-7/8"-9	88.2	2808	4767	1905	8270

* 10" and 12" available in bare stem version only.

WARNING: This product can expose you to chemicals including lead, which is known to the State of California to cause cancer and birth defects or other reproductive harm. For more information go to www.p65warnings.ca.gov.