

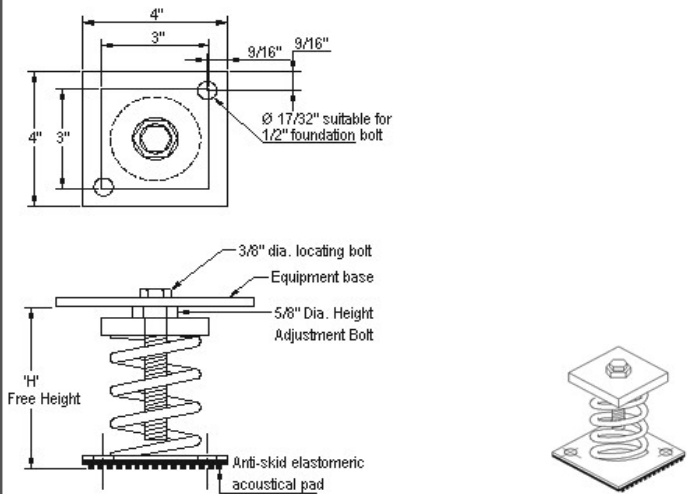
## Features + Application Information

1. Large diameter laterally stable springs
2. Welded steel construction & galvanized finish
3. Anti-skid elastomeric acoustical pad
4. Mounting holes furnished as standard

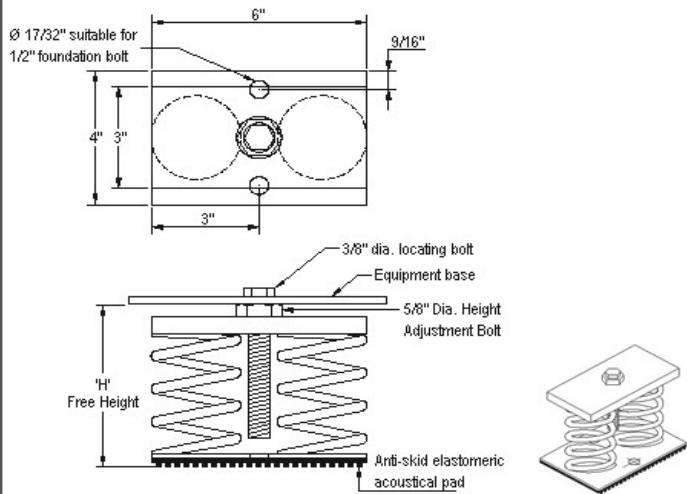
5. Built-in leveling device
6. Spring elements color-coded for easy field verification
7. Consult spring chart on page 23 for isolator performance data

## Dimensional + Model Selection Data

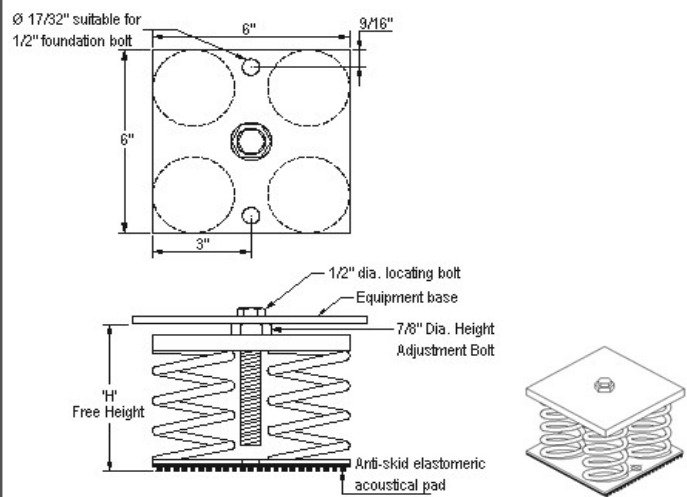
### OSM-1 models



### OSM-2 models



### OSM-4 models



	Model	Load Range (lbs)	H
★ ★ ★ ★ ★ 1" deflection series	OSM-1-150	1 to 100	4-7/8"
	OSM-1-151	101 to 180	
	OSM-1-152	181 to 270	
	OSM-1-153	271 to 370	
	OSM-1-154	371 to 500	
	OSM-1-155	501 to 620	
	OSM-1-156	621 to 750	
	OSM-1-157	751 to 910	
	OSM-1-158	911 to 1500	
	OSM-1-159	1501 to 2082	
	OSM-1-159-161	2083 to 2603	
	OSM-2-158	2604 to 3000	4-7/8"
	OSM-2-159	3001 to 4166	
	OSM-2-159-161	4167 to 5207	5-1/8"
	OSM-4-158	5208 to 6000	
	OSM-4-159	6001 to 8332	
OSM-4-159-161	8333 to 10416		

	Model	Load Range (lbs)	H
★ ★ ★ ★ ★ 2" deflection series	OSM-1-081	1 to 40	5-1/4"
	OSM-1-082	41 to 60	
	OSM-1-083	61 to 110	
	OSM-1-084	111 to 195	
	OSM-1-085	196 to 350	
	OSM-1-086	351 to 450	
	OSM-1-087	451 to 606	
	OSM-2-085	607 to 700	5-1/4"
	OSM-2-086	701 to 900	
	OSM-2-087	901 to 1212	6-1/4"
	OSM-2-142A-146B	1213 to 1334	
	OSM-2-147	1335 to 2380	
	OSM-2-148A	2381 to 3152	
	OSM-2-147-146B	3153 to 3380	
	OSM-2-148A-146B	3381 to 4152	
	OSM-4-147	4153 to 4760	
	OSM-4-148A	4761 to 6306	
OSM-4-147-146B	6307 to 6760		
OSM-4-148A-146B	6761 to 8306		

	Model	Load Range (lbs)	H
★ ★ ★ ★ ★ 3" deflection series	OSM-1-181	1 to 100	7-1/4"
	OSM-1-182	101 to 160	
	OSM-1-183	161 to 220	
	OSM-1-184	221 to 332	
	OSM-1-185	333 to 600	
	OSM-1-186	601 to 890	
	OSM-1-187	891 to 1157	
	OSM-1-186-199	1158 to 1540	
	OSM-1-187-199	1541 to 1825	
	OSM-2-187	1826 to 2315	
	OSM-2-186-199	2316 to 3080	
	OSM-2-187-199	3081 to 3650	
	OSM-4-187	3651 to 4630	
	OSM-4-186-199	4631 to 6160	
	OSM-4-187-199	6161 to 7310	7-1/2"